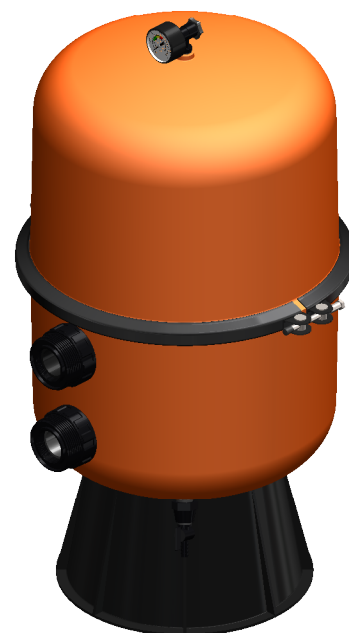
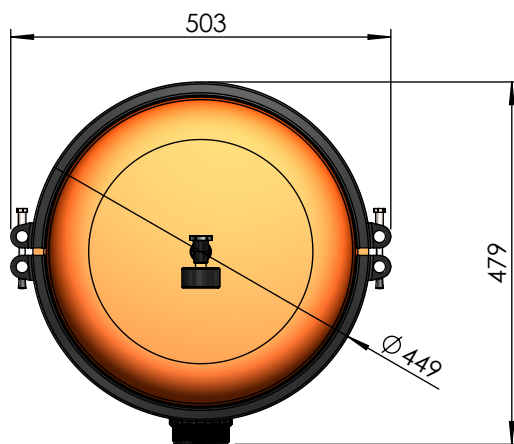
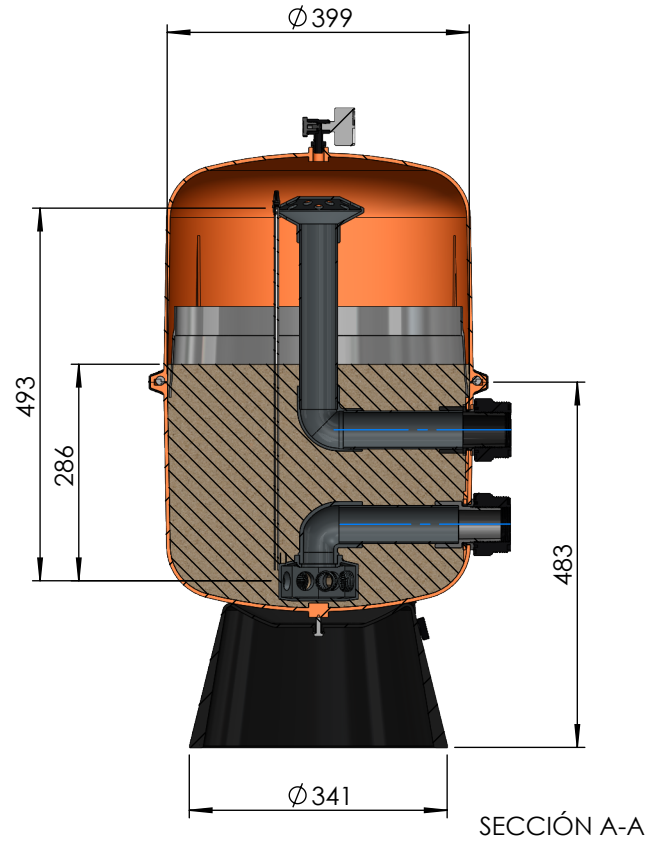
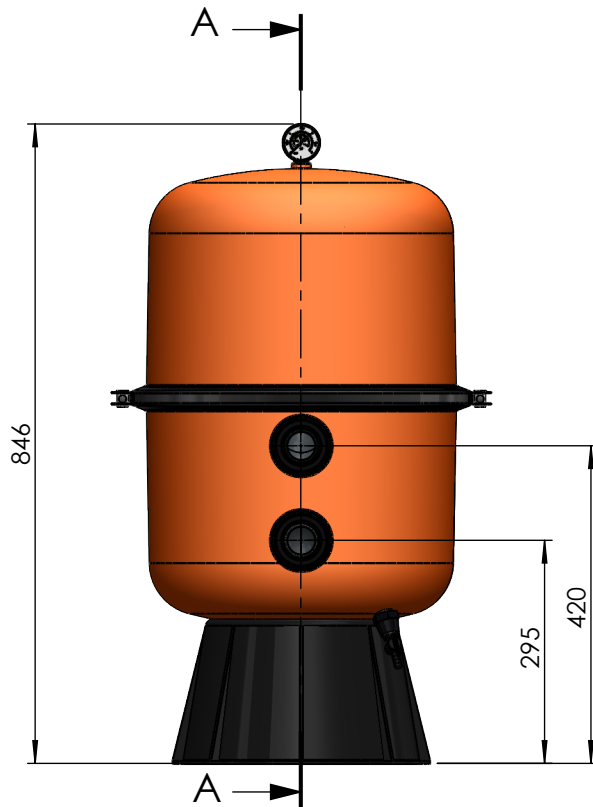


CODIGO / CODE: 04591-0100
DESCRIPCION: FILTRO BILBAO Ø400 NARANJA
DESCRIPTION: BILBAO Ø400 WHITE



FILTER DIAMETER	400 mm
FILTRATION AREA	0,126 m ²
FLOW (50 m ³ /h/m ²)	6 m ³ /h
SAND	50 (Kg)
GRANULAR SIZE	0,5 - 0,7 mm
MAXIMUM WORKING PRESSURE	1,5 (Kg/m ²)

Nota: Unidades en mm
Note: Units in mm