



## A QUALITY YOU TRUST



# INDEX

---



- UPVC Pressure Fittings .....	1
- UPVC Valves .....	24
- Butterfly Valves .....	39

Neisco For Modern Water Systems Production is an Egyptian company with a 30 year legacy in the field of piping systems. Since Neisco was brought to life, it has pioneered its industry knowledge to become the bench mark in the market.

Located in Badr Industrial City, Neisco has 4 factories working around the clock to ensure maximum productivity and efficiency. With a product range that exceeds 3000 items, Neisco can fulfill product needs in all sectors.

Neisco is considered a leading manufacturer in the field of UPVC pressure fittings, Sewer fittings, Valves, PP compression fittings, Drip Irrigation tubes, as well as UPVC & PE pipes. Sold in Egypt and worldwide, Neisco exports its products across 4 continents including Europe, Africa and the Middle East, serving 40+ clients located in more than 20 countries.

In order to meet our customers' increasing demands, Neisco has evolved its production capacity to reach up to 3000+ tons of fittings, and 9000+ tons of pipes, with ambitious plans to increase our product capacity to serve the increasing demand of our customers.

Our success story wouldn't be possible without the mutual work with over 180+ partners, joint-ventures, distributors & agents.

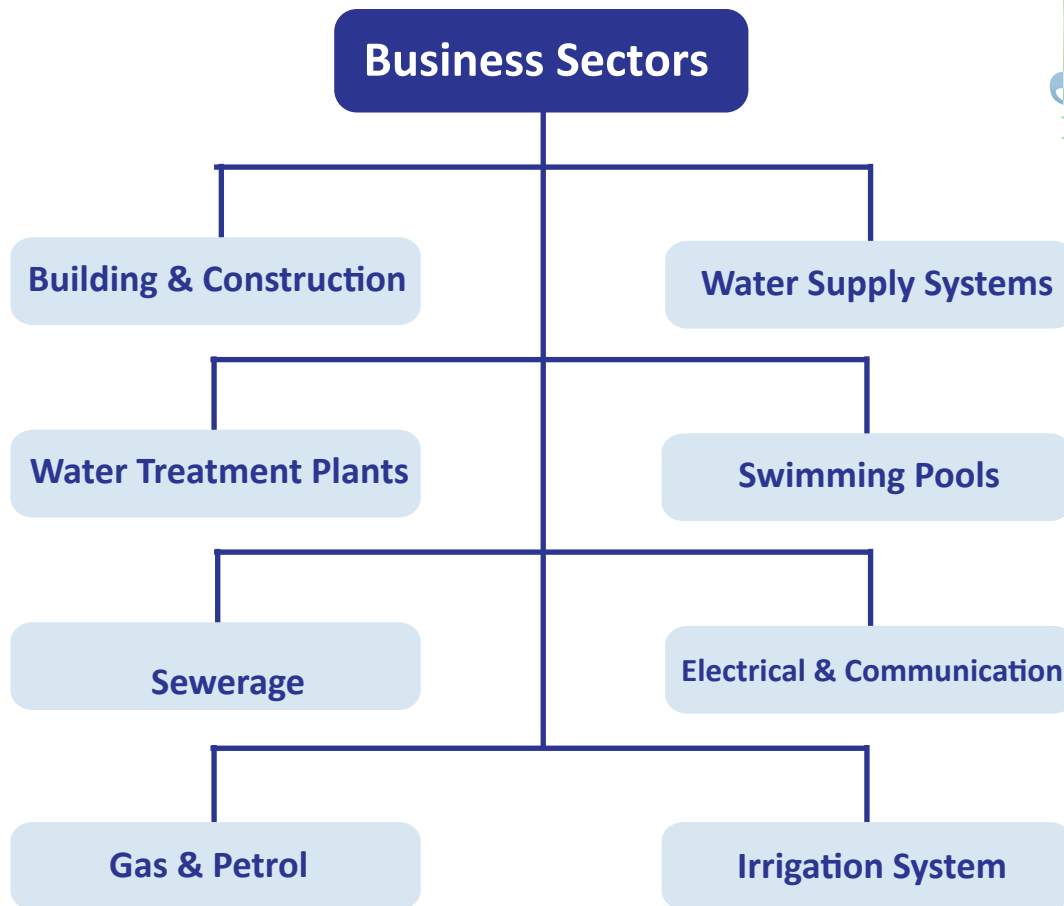
Neisco is proud to be classified among top European producers of PVC, providing world-class quality of full range systems, by implementing international standards ISO 727 DIN 8063, EN 1452 AND ISO 4421/3.

Neisco holds excellence and quality certificates that grant its customers a competitive edge.

This is achieved by applying strict quality control measures throughout the whole operational cycle.

Neisco guarantees that all client orders are delivered in a timely manner, with consistent tracking and follow up. Neisco aims to exponentially grow and expand across domestic and international markets while maintaining its product quality and satisfactory sale and after-sale services.

# A QUALITY YOU TRUST



## Excellence & Quality Certificates



EOS - 848



IIP quality standards



BRITISH  
STANDARDS

BS - Kitemark



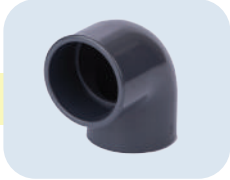
TUV CERTIFICATE



Saudi Arabia quality standards - SASO

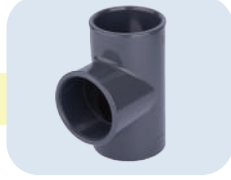
# NEISCO Product Category; UPVC Fittings

★ Elbow 90°



MM (20 up to 400)  
TH (1/2" up to 4")  
BS (1/2" up to 8")

★ Tee 90°



MM (20 up to 355)  
TH (1/2" up to 4")  
BS (1/2" up to 8")

Elbow 45°



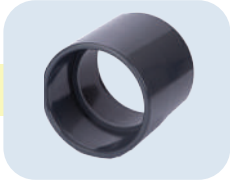
MM (20 up to 400)  
TH (1/2" up to 4")  
BS (1/2" up to 8")

★ Union with O-Ring



MM (20 up to 110)  
TH (1/2" up to 4")  
BS (1/2" up to 4")

★ Socket



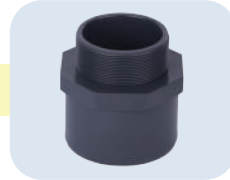
MM (20 up to 400)  
TH (1/2" up to 4")  
BS (1/2" up to 10")

Cap



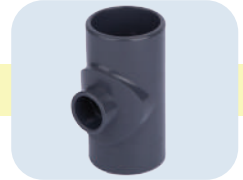
MM (20 up to 250)  
TH (1/2" up to 4")  
BS (1/2" up to 8")

Male Adaptor



TH (20x25x1/2"  
up to 110x125x5")

★ 90° Tee Reduced



MM (25x20 up to 200x110)  
BS (1.1/4" up to 4x3")

★ Reducing Bush



MM (25x20 up to 400x355)  
BS (3/4x1/2" up to 8x6")

Blank Flange



MM (20 up to 225)

Stub Serrated



MM (25 up to 400)  
BS (1/2" up to 10")

Loose Flange



MM (25 up to 400)

Reducing Socket



MM (20x16 up to 225x160)  
BS (3/4x1/2" up to 4x3")

Reducing piece M/F



MM (25x32x20  
up to 140x160x125)

Reducer M/F



TH (3/4" up to 1/2")

Nipple Threaded



TH (1/2" up to 4")

Saddle



MMxInch (75x3/4"  
up to 225x3")

★ Available in Plain / Threaded

## NEISCO Product Category; UPVC Valves

Single union ball valve  
with safety lock



MM (20 up to 110)  
TH (1/2" up to 4")  
BS (1/2" up to 4")

Double union ball valve  
with safety lock



MM (20 up to 110)  
TH (1/2" up to 4")  
BS (1/2" up to 4")

Double union  
compression valve



MM (20 up to 63)

Single union  
compression valve



From (1/2" x 20)  
to (2" x 63)

Check Valve



MM (20 up to 110)  
TH (1/2" up to 4")  
BS (1/2" up to 4")

Transparent Check Valve



MM (20 up to 110)

Flap Valve



MM (63/2 up to 225/8)

Valve Saddle



MM (75x32 up to 225x63)  
TH (75x1" up to 225x2")

## NEISCO Product Category; Butterfly Valves



Butterfly valve

(75 MM - 90 MM)  
(110 MM - 160 MM)

# UPVC PRESSURE FITTINGS



## General properties

### Material

#### U-PVC PIPE SYSTEMS

U-PVC (unplasticized polyvinyl chloride) is one of the most popular thermoplastic materials used for pipe work installations; it is obtained from ethylene (43%) and chlorine (57%). Light, U-PVC has excellent resistance to chemicals and abrasion, is tasteless and odorless making it ideal for use with potable water systems. Its extremely smooth bore gives excellent low characteristic without sediment or deposit. Connections can be made by either solvent cement or BSP threaded fittings.

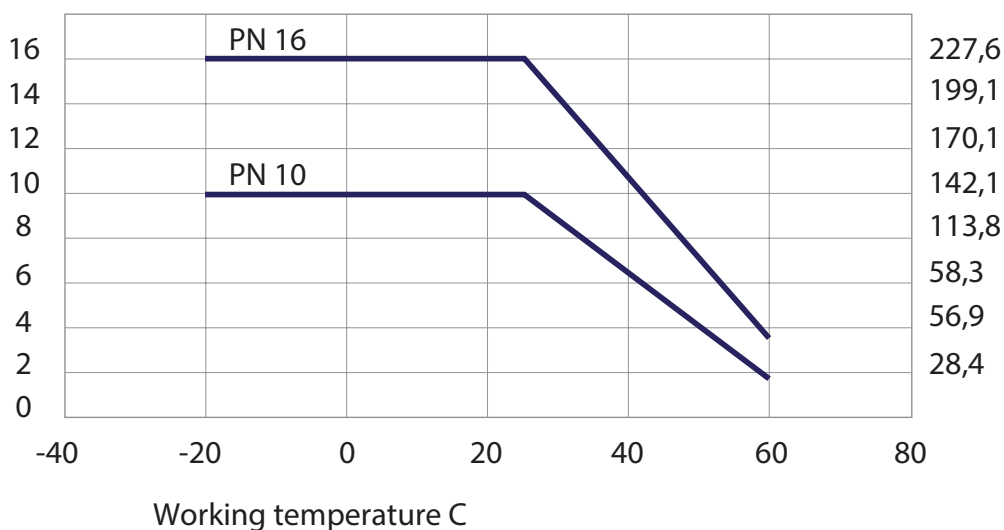
#### MATERIALS

Fittings: U-PVC (unplasticized polyvinyl chloride)  
 Gaskets: EPDM (ethylene - polypropylene rubber)  
 FPM (fluorocarbonic - rubber)

#### PRESSURE-TEMPERATURE RELATIONSHIP

The maximum working pressure is 16 kg/cm<sup>2</sup> (227,6 PSI) from -20°C to +25°C. Above +25°C the working pressure decreases by a linear way down to 4 kg/cm<sup>2</sup> (56,9 PSI) to +60°C

#### Pressure-Temperature relationship according to DIN 3441 BLATT 1





## Mechanical properties

Max working pressure in Kg/cm

Series	Dimensions	NP
Solvent jointing	from D16 to D160	16
Solvent jointing	from D200 to D315	10
Threaded	from G3/8 to G4	16
Adaptor set	from D16 to D110	16

Safety factor at 20°C

NP	HOURS 1	HOURS 1000	Corrisp. to 50 years
10 Bar	6.7	5.1	4.0
16 Bar	4.2	3.2	2.5

## Chemical resistance

U-PVC has chemical resistance properties which are excellent being resistant to most solutions of salts, acids, alkalis and watersoluble solvents. PVC is NOT resistant to aromatic or chlorinated hydrocarbons.

## Abbreviations

- D** connecting size for plastic piping corresponding to external diameter of pipe and internal diameter of female fittings.
- D"** nominal diameter for connecting B.S. piping (inches)
- DN** nominal diameter for metal pipes corresponding approximately to internal diameter
- G** nominal diameter for threaded pipes and fittings (inches)

## Physical properties of U-PVC

Characteristics	Method	Units	UPVC
Density	DIN 53479	g / cm <sup>3</sup>	1.4
Elongation	ISO R527	%	125
Modulus to traction	ISO R527	Kg / cm <sup>2</sup>	30.000
Resistance to traction	ISO R527	N / mm <sup>2</sup>	55
Tensile Strength	ISO R527	Kg / cm <sup>2</sup>	520
ZOD Impact strength at 23°C	ASTM D256	Kg cm / cm	3,5/4,5
Vicat softening point with 5 Kgs	ISO R306	°C	76
Thermal conductivity	ASTM C177	kcal / mh°C	0,15
Coefficient of linear expansion	ASTM D696	m / m°C	8x10
Water absorption	ISO R527	mg / cm <sup>3</sup>	<4
Flammability			Self extinguishing M1

## Pipe fitting tolerances for solvent joint according to:

Fittings: ISO 727, DIN 8063, KIWA BRL-K 504, NF T54-028, UNI EN ISO 1452 ]

Pipes: ISO 161, DIN 8062, KIWA 49, NFT54-016

D	DN Nominal Diameter	Mean outside diameter of fittings		Mean inside diameter of fittings	
		Min	Max	Min	Max
16	10	16	16.2	16.1	16.3
20	15	20	20.2	20.1	20.3
25	20	25	25.2	25.1	25.3
32	25	32	32.2	32.1	32.3
40	32	40	40.2	40.1	40.3
50	40	50	50.2	50.1	50.3
63	50	63	63.2	63.1	63.3
75	65	75	75.2	75.1	75.3
90	80	90	90.2	90.1	90.3
110	100	110	110.3	110.1	110.4
125	110	125	125.3	125.1	125.4
140	125	140	140.3	140.2	140.5
160	150	160	160.3	160.2	160.5
200	175	200	200.4	200.2	200.6
225	200	225	225.4	225.3	225.7
250	225	250	250.5	250.3	250.8
280	250	280	280.5	280.3	280.9
315	280	315	315.5	315.4	316

## Threading dimension according to:

ISO 7/1, UNI ISO 228/1, BS 21, DIN 2999

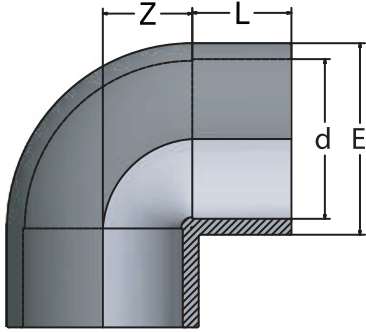
G Nominal Diameter	Diameter of screw	Passo Pitch		Depth of thread	Length of thread assembling
		N° fil/1"	mm		
3/8"	16.66	19	1.337	0.856	11.04
1/2"	20.95	14	1.814	1.162	15
3/4"	26.44	14	1.814	1.162	16.3
1"	33.25	11	2.309	1.479	19.1
1 1/4"	41.91	11	2.309	1.479	21.4
1 1/2"	47.8	11	2.309	1.479	21.4
2"	59.61	11	2.309	1.479	25.7
2 1/4"	65.71	11	2.309	1.479	-
2 1/2"	75.18	11	2.309	1.479	30.2
2 3/4"	81.53	11	2.309	1.479	-
3"	87.88	11	2.309	1.479	33.3
4"	113.03	11	2.309	1.479	39.3
5"	138.43	11	2.309	1.479	43.6
6"	163.83	11	2.309	1.479	43.6



## EL50

90° ELBOW

كوع 90°

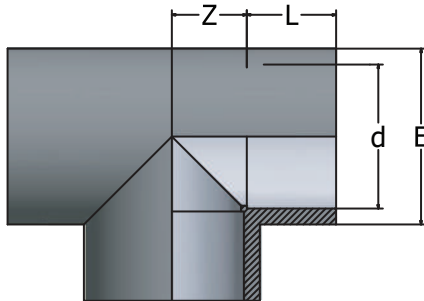


Code	d	L	Z	E	PN	GR.	Pack	Size
EL50E0200	20	16	11	27	16	16	300	S
EL50E0250	25	19	13.5	33	16	29	350	M
EL50E0320	32	22	17	41	16	55	200	M
EL50E0400	40	26	21	50	16	90	140	L
EL50E0500	50	31	26	61	16	138	140	L
EL50E0630	63	38	32.5	76	16	270	70	L
EL50E0750	75	44	38.5	90	16	437	40	L
EL50E0900	90	51	46	108	16	778	25	L
EL50E1100	110	61	56	131	16	1219	14	L
EL50E1250	125	69	63	148	16	1661	10	L
EL50E1400	140	76	71	165	16	1990	6	L
EL50E1600	160	86	81	188	16	3200	4	L
EL50E2000	200	106	101	232	10	5850	2	L
EL50E2250	225	118.5	114	258	10	7500	1	L
EL50E2500	250	131	188	286	10	12150	10	XL
EL50E3150	315	163.5	239	358	10	23500	5	XL

## TE40

90° TEE

مشارك 90°

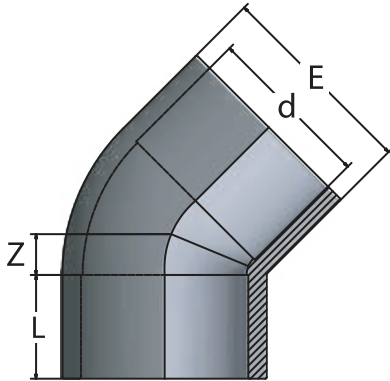


Code	d	L	Z	E	PN	GR.	Pack	Size
TE40E0200	20	16	11	27	16	25	450	M
TE40E0250	25	19	13.5	33	16	44	250	M
TE40E0320	32	22	17	41	16	69	130	M
TE40E0400	40	26	21	51	16	125	80	M
TE40E0500	50	31	26	61	16	185	90	L
TE40E0630	63	38	32.5	76	16	358	50	L
TE40E0750	75	44	38.5	90	16	495	32	L
TE40E0900	90	51	46	108	16	790	20	L
TE40E1100	110	61	56	131	16	1454	10	L
TE40E1250	125	69	63	148	16	2316	7	L
TE40E1400	140	76	71	165	16	2822	4	L
TE40E1600	160	86	81	188	16	4280	3	L
TE40E2000	200	106	101	232	10	7200	20	XL
TE40E2250	225	118.5	114	258	10	9700	15	XL
TE40E2500	250	131	126	286	10	12650	10	XL
TE40E3150	315	163.5	159	360	10	24350	4	XL

## EY50

45° ELBOW

كوع 45°

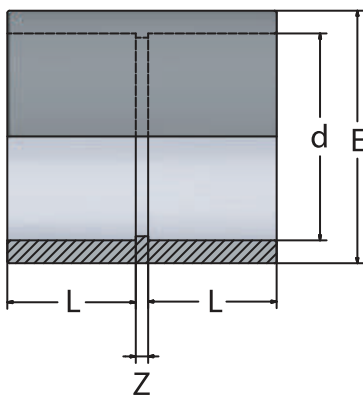


Code	d	L	Z	E	PN	GR.	Pack	Size
EY50E0200	20	16	5.5	27	16	17	700	M
EY50E0250	25	19	6	33	16	30	450	M
EY50E0320	32	22	7.5	41	16	47	250	M
EY50E0400	40	26	9.5	50	16	77	150	M
EY50E0500	50	31	11.5	61	16	104	170	L
EY50E0630	63	38	14	76	16	207	90	L
EY50E0750	75	44	16.5	90	16	344	50	L
EY50E0900	90	51	19.5	108	16	551	30	L
EY50E1100	110	61	24	131	16	863	16	L
EY50E1250	125	69	27	148	16	1065	12	L
EY50E1400	140	76	30	165	16	1640	6	L
EY50E1600	160	86	34	188	16	2100	4	L
EY50E2000	200	106	43	232	10	4540	30	XL
EY50E2250	225	119	48	258	10	6200	26	XL
EY50E2500	250	132	53	287	10	7680	16	XL
EL50E3150	315	163.5	239	358	10	23500	5	XL

## SO10

SOCKET

جلبة

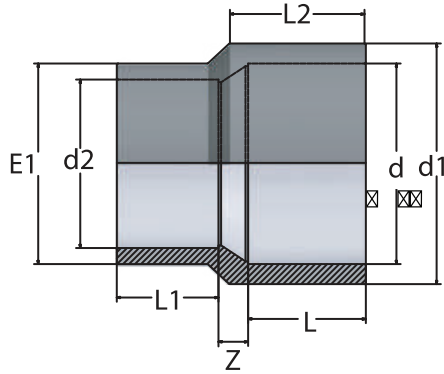


Code	d	L	Z	E	PN	GR.	Pack	Size
SO10E0200	20	16	3	27	16	15	380	S
SO10E0250	25	19	3	33	16	23	500	M
SO10E0320	32	22	3	41	16	36	300	M
SO10E0400	40	26	3	51	16	60	200	M
SO10E0500	50	31	3	61	16	85	220	L
SO10E0630	63	38	3	76	16	145	125	L
SO10E0750	75	44	4	90	16	214	85	L
SO10E0900	90	51	5	108	16	365	45	L
SO10E1100	110	61	6	131	16	520	27	L
SO10E1250	125	69	6	148	16	807	20	L
SO10E1400	140	76	8	165	16	1100	12	L
SO10E1600	160	86	8	188	16	1400	8	L
SO10E2000	200	106	8	226	10	2660	50	XL
SO10E2250	225	119	12	258	10	4436		



## RP20 REDUCING PIECE M/F

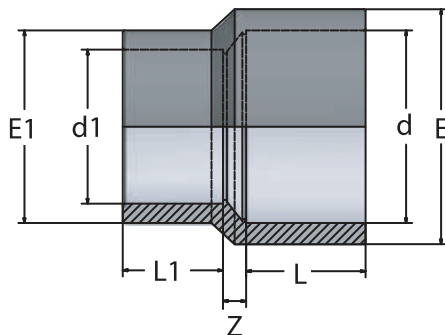
مسلوب طويل



Code	dxd1xd2	L	L1	L2	Z	E	PN	Gr	Pack	Box
RP20E 032B	25x32x20	19	16	22	6	32	16	17	300	S
RP20E 040B	32x40x20	22	16	26	9	32	16	27	200	S
RP20E 040C	32x40x25	22	19	26	8	40	16	28	170	S
RP20E 050B	40x50x20	26	16	31	9	50	16	46	230	M
RP20E 050C	40x50x25	26	19	31	12	50	16	49	230	M
RP20E 050D	40x50x32	26	22	31	9	50	16	53	200	M
RP20E 063C	50x63x25	31	19	38	19	63	16	85	130	M
RP20E 063D	50x63x32	31	22	38	12	63	16	88	125	M
RP20E 063E	50x63x40	31	26	38	12	63	16	93	120	M
RP20E 075E	63x75x40	38	26	44	17	75	16	140	80	M
RP20E 075F	63x75x50	38	31	44	12	75	16	124	80	M
RP20E 090F	75x90x50	44	31	51	18	90	16	203	45	M
RP20E 090G	75x90x63	44	38	51	11	90	16	225	36	M
RP20E 110F	90x110x50	51	31	61	28	110	16	362	45	L
RP20E 110G	90x110x63	51	38	61	22	110	16	375	45	L
RP20E 110H	90x110x75	51	44	61	16	110	16	396	45	L
RP20E 125F	110x125x50	61	31	69	34	125	16	376	42	L
RP20E 125G	110x125x63	61	38	69	28	125	16	393	42	L
RP20E 125H	110x125x75	61	44	69	23	125	16	432	42	L
RP20E 125I	110x125x90	61	51	69	17	125	16	486	42	L

## RS10 REDUCING SOCKET

جلبة مسلوقة

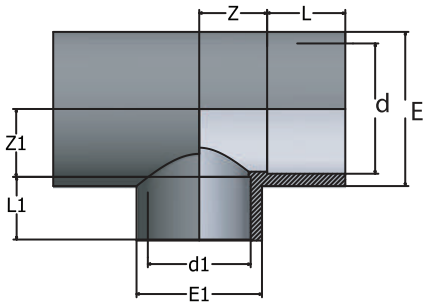


Code	dxd1	L	L1	Z	E	E1	PN	Gr	Pack	Box
RS10E 160L	160x110	86	61	28	180	129	16	1250	12	L
RS10E 200O	200x160	106	86	49	226	180	10	2560	4	L
RS10E 225O	225x160	119	85	42	254	183	10	3255	3	L

## TR40

### 90° TEE REDUCED

مشترك مخفض

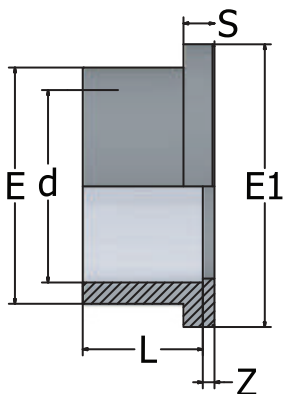


Code	dxd1	L	L1	Z	Z1	E	E1	PN	GR.	Pack	Size
TR40E032B	32x20	22	16	17	17	41	27	16	69	160	M
TR40E032C	32x25	22	19	17	17	41	33	16	70	140	M
TR40E050B	50x20	31	16	26	26	61	27	16	165	110	M
TR40E050C	50x25	31	19	26	26	61	33	16	166	110	M
TR40E050D	50x32	31	22	26	26	61	41	16	170	110	L
TR40E063B	63x20	38	16	32.5	26	76	27	16	236	70	L
TR40E063C	63x25	38	19	32.5	33	76	33	16	282	70	L
TR40E063D	63x32	38	22	32.5	33	76	41	16	279	70	L
TR40E063F	63x50	38	31	32.5	33	76	61	16	292	60	L
TR40E075D	75x32	44	22	38.5	39	90	41	16	453	38	L
TR40E075E	75x40	44	26	38.5	39	90	51	16	465	38	L
TR40E075F	75x50	44	31	38.5	39	90	61	16	465	35	L
TR40E075G	75x63	44	38	38.5	39	90	76	16	469	35	L
TR40E090E	90x40	51	26	46	47	108	51	16	714	24	L
TR40E090F	90x50	51	31	46	47	108	61	16	721	24	L
TR40E090G	90x63	51	38	46	47	108	75	16	740	22	L
TR40E090H	90x75	51	44	46	47	108	90	16	760	22	L
TR40E110F	110x50	61	31	56	57	131	61	16	1250	12	L
TR40E110G	110x63	61	38	56	57	131	76	16	1.2	12	L
TR40E110H	110x75	61	44	56	57	131	90	16	1.22	12	L
TR40E110I	110x90	61	51	56	57	131	108	16	1.25	10	L
TR40E160I	160x90	86	51	81	82	188	108	16	3069	3	L
TR40E160L	160x110	86	61	81	82	188	131	16	3152	2	L
TR40E200N	200x160	106	86	101	128	288	188	10	6687	1	L
TR40E200L	200x110	106	61	101	128	228	61	10	5394	1	L

## ST20

### STUB SERRATED

بردة



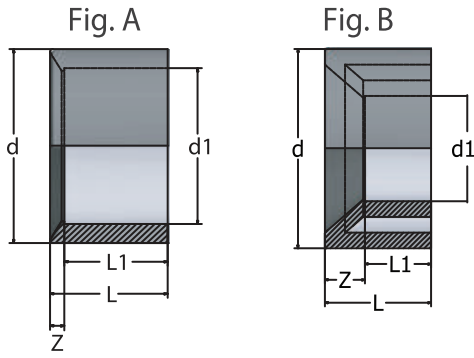
Code	d	DN	L	Z	S	E	E1	PN	GR	Pack	Box
ST20E0250	25	20	19	3	6	33	41	16	16	550	S
ST20E0320	32	25	22	3	6	41	50	16	25	300	S
ST20E0400	40	32	26	3	8	50	61	16	40	250	M
ST20E0500	50	40	31	3	8	61	73	16	60	180	M
ST20E0630	63	50	38	3	8	76	90	16	113	90	M
ST20E0750	75	65	44	3	8	90	106	16	160	120	L
ST20E0900	90	80	51	5	10	108	125	16	263	70	L
ST20E1100	110	100	61	5	11	131	150	16	430	45	L
ST20E1250	125	110	68.5	5	11	148	167	16	540	25	L
ST20E1400	140	125	76	5	11	165	187	16	744	20	L
ST20E1600	160	150	86	5	11	188	213	16	1052	16	L
ST20E2000	200	200	106	7	18	228	253	10	1850	7	L
ST20E2250	225	200	118.5	8	19	247	274	10	1768	6	L
ST20E2500	250	225	131	10	20	273	307	10	2.32	4	L
ST20E3150	315	300	163.5	11	27	346	379	10	4.58	3	L



## RB90

### REDUCING BUSH

بوش قصير

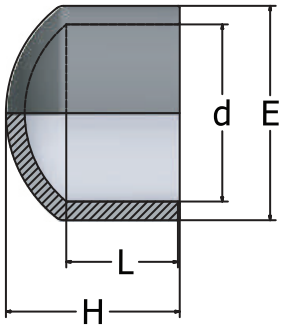


Code	dxd1	L	L1	Z	Fig	PN	Gr	Pack	Box
RB90E 025B	25x20	19	16	3	A	16	4	700	S
RB90E 032B	32x20	22	16	6	A	16	15	450	S
RB90E 032C	32x25	22	19	3	A	16	10	450	S
RB90E 040B	40x20	26	16	10	B	16	25	270	S
RB90E 040C	40x25	26	19	7	A	16	28	270	S
RB90E 040D	40x32	26	22	4	A	16	16	270	S
RB90E 050C	50x25	31	19	14	B	16	45	350	M
RB90E 050D	50x32	31	22	9	B	16	41	350	M
RB90E 050E	50x40	31	26	5	A	16	31	350	M
RB90E 063C	63x25	38	19	19	B	16	71	180	M
RB90E 063D	63x32	38	22	16	B	16	73	180	M
RB90E 063E	63x40	38	26	12	B	16	76	180	M
RB90E 063F	63x50	38	31	7	A	16	61	180	M
RB90E 075D	75x32	44	22	22	B	16	128	110	M
RB90E 075E	75x40	44	26	18	B	16	102	160	M
RB90E 075F	75x50	44	31	14	B	16	122	110	M
RB90E 075G	75x63	44	38	6	A	16	85	110	M
RB90E 090F	90x50	51	31	20	B	16	171	65	M
RB90E 090G	90x63	51	38	13	B	16	166	65	M
RB90E 090H	90x75	51	44	7	A	16	140	65	M
RB90E 110G	110x63	61	38	23	B	16	254	40	M
RB90E 110H	110x75	61	44	17	B	16	262	40	M
RB90E 110I	110x90	61	51	10	A	16	266	40	M
RB90E 125L	125x110	68.5	61	8	A	16	260	50	L
RB90E 140M	140x125	76	68.5	7	A	16	335	40	L
RB90E 160I	160x90	86	51	30	B	16	850	24	L
RB90E 160L	160x110	86	61	25	B	16	820	24	L
RB90E 160M	160x125	86	68.5	17	B	16	745	24	L
RB90E 160N	160x140	86	76	10	A	16	565	24	L
RB90E 200O	200x160	106	86	20	B	10	1381	12	L
RB90E 225O	225x160	118.5	86	33	B	10	2411	7	L
RB90E 225P	225x200	118.5	106	13	A	10	1408	7	L
RB90E 250O	250x160	131	86	47	B	10	2798	6	L
RB90E 250P	250x200	131	106	27	B	10	1752	6	L
RB90E 250Q	250x225	131	118.5	12	A	10	2.1	6	L

## CA70

CAP

طبة

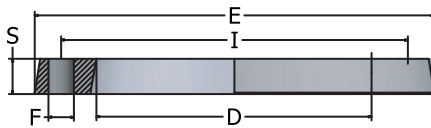


Code	d	L	H	E	PN	Gr	Pack	Box
CA70E0200	20	16	27	27	16	10	500	S
CA70E0250	25	19	31	33	16	18	350	S
CA70E0320	32	22	36	41	16	30	450	M
CA70E0400	40	26	43	50	16	45	300	M
CA70E0500	50	31	49	61	16	70	180	M
CA70E0630	63	38	57	76	16	120	100	M
CA70E0750	75	44	67	90	16	188	60	M
CA70E0900	90	51	80	106	16	295	65	L
CA70E1100	110	61	95	131	16	490	40	L
CA70E1250	125	69	102	148	16	680	33	L
CA70E1400	140	76	114	165	16	927	20	L
CA70E1600	160	86	126	188	16	1146	14	L
CA70E2000	200	106	145	228	10	2048	7	L
CA70E2250	225	119	160	254	10	2684	6	L
CA70E2500	250	106	208	286	10	3925	4	L

## BR00

LOOSE FLANGE  
DIN 8063 PN 10-16

فلانشة متحركة



Code	d	DN	D	E	S	I	F	Drill	Bolts	PN	GR
BR00E0500	50	40	62	152	16	110	18	4	M16x75	16	230
BR00E0630	63	50	78	165	18	125	18	4	M16x80	16	280
BR00E0750	75	65	92	185	19	145	18	4	M16x90	16	355
BR00E0900	90	80	110	200	20	160	18	8	M16x90	16	430
BR00E1100	110	100	133	220	22	180	18	8	M16x100	16	520
BR00E1250	125	110	149	230	24	190	18	8	M16x100	16	964
BR00E1400	140	125	167	250	26	210	18	8	M16x110	16	1165
BR00E1600	160	150	190	285	28	240	22	8	M20x120	16	930
BR00E2000	200	200	235	340	30	295	22	8	M20x120	10	1.2
BR00E2250	225	200	250	340	30	295	22	8	M20x120	10	2484
BR00E2500	250	225	280	395	34	350	22	12	M20x120	10	1.7
BR00E3150	315	300	349	445	34	400	22	12	M20x120	10	2.7



## SA50

SADDLE WITH STAINLESS  
STEEL BOLT AND NUT

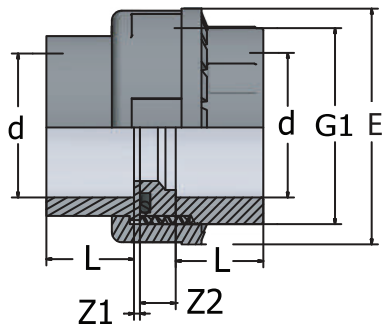
ركاب بأربع مسامير

Code	dxd1	L	L1	Z	Fig	PN	Gr	Pack	Box
SA51E 075C	75x¾"	22	19	134	105	54	683	25	L
SA51E 075D	75x1"	30	22	134	105	54	692	25	L
SA51E 075F	75x1½"	31	25	134	105	54	725	25	L
SA51E 075G	75x2"	31	30	134	105	54	780	25	L
SA51E 090C	90x¾"	22	19	152	105	61	764	20	L
SA51E 090D	90x1"	28	22	152	105	61	778	20	L
SA51E 090F	90x1½"	40	25	152	105	61	805	20	L
SA51E 090G	90x2"	40	30	152	105	61	877	20	L
SA51E 110C	110x¾"	22	19	176	105	72	982	20	L
SA51E 110D	110x1"	28	22	176	105	72	993	20	L
SA51E 110F	110x1½"	40	25	176	105	72	1.02	20	L
SA51E 110G	110x2"	40	30	176	105	72	1.08	20	L
SA51E 125D	125x1"	25	22	190	112	80	1.26	20	L
SA51E 125F	125x1½"	40	25	190	112	80	1.32	20	L
SA51E 125G	125x2"	50	30	190	112	80	1.41	20	L
SA51E 160D	160x1"	28	22	233	120	98	1.45	10	L
SA51E 160F	160x1½"	40	25	233	120	98	1.48	10	L
SA51E 160G	160x2"	50	30	233	120	98	1.52	10	L
SA51E 200F	200x1½"	40	25	300	133	118	2.06	7	L
SA51E 200G	200x2"	52	30	300	133	118	2.12	7	L
SA51E 200I	200x3"	52	36	300	133	118	2.15	7	L
SA51E 225F	225x1½"	40	25	333	125	132	2.61	7	L
SA51E 225G	225x2"	50	30	333	125	132	2.65	7	L
SA51E 225I	225x3"	74	36	333	125	132	2.74	7	L

## UN80

UNION WITH O-RING

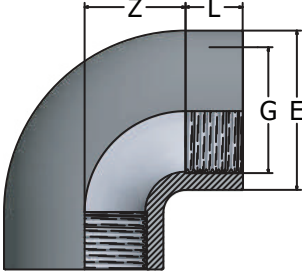
لاكور تجميع



Code	d	L	Z1	Z2	G1	E	O-Ring	PN	GR	Pack	Box
UN80E 0200	20	16	3	10	1"	42	4081	16	42	180	S
UN80E 0250	25	19	3	10	1¼"	52	4112	16	70	220	M
UN80E 0320	32	22	3	10	1½"	59	4131	16	97	150	M
UN80E 0400	40	26	3	12	2"	72	6162	16	155	80	M
UN80E 0500	50	31	3	14	2¼"	79	6187	16	194	120	L
UN80E 0630	63	38	3	18	2¾"	96	6237	16	333	60	L
UN80E 0750	75	44	3	18	3½"	119	6312	16	580	35	L
UN80E 0900	90	51	5	18	4"	134	6362	16	760	24	L
UN80E 1100	110	61	5	18	5"	163	6450	16	1280	12	L

**EL51****90° ELBOW THREADED**

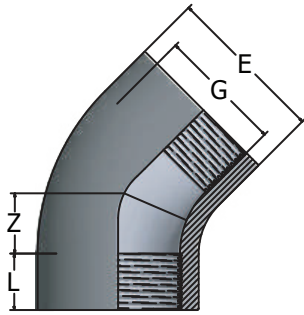
كوع سن 90°



Code	G	L	Z	E	PN	Gr.	Pack	Box
EL51E0200	1/2"	16.5	11	27	16	17	300	S
EL51E0250	3/4"	19.5	13.5	33	16	30	300	M
EL51E0320	1"	22.5	17	41	16	53	300	M
EL51E0400	1 1/4"	27	21	50	16	85	300	M
EL51E0500	1 1/2"	30	26	61	16	180	300	L
EL51E0630	2"	36	32.5	76	16	340	300	L
EL51E0750	2 1/2"	50.5	38.5	90	16	436	40	L

**EY51****45° ELBOW THREADED**

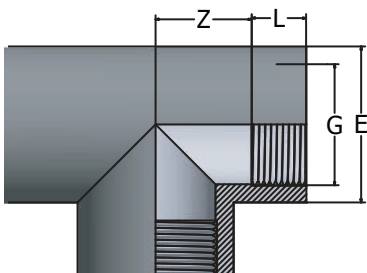
كوع سن 45°



Code	G	L	Z	E	PN	Gr	Pack	Box
EY51E0500	1 1/2"	30	11.5	61	16	145	170	L
EY51E0630	2"	36	14	76	16	254	90	L

**TE41****90° TEE THREADED**

مشترك سن 90°



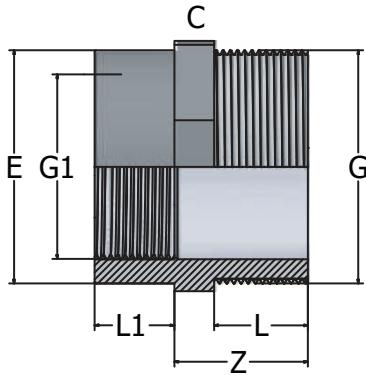
Code	G	L	Z	E	PN	Gr	Pack	Box
TE41E0200	1/2"	16.5	11	27	16	26	450	M
TE41E0250	3/4"	19.5	13.5	33	16	43	250	M
TE41E0320	1"	22.5	17	41	16	80	130	M
TE41E0400	1 1/4"	27	21	50	16	120	80	M
TE41E0500	1 1/2"	30	26	61	16	240	90	L
TE41E0630	2"	36	32.5	76	16	425	50	L



## RE61

### REDUCER MALE/ FEMALE

مسلوب سن خارجی / سن داخلی

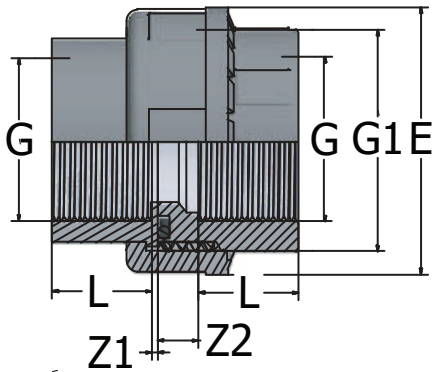


Code	GxG1	L	L1	Z	C	E	PN	Gr	Pack	Box
RE61E025B	3/4" x 1/2"	16.5	15.5	26	30	33	16	17	320	S
RE61E032B	1" x 1/2"	19.5	16.5	29	36	41	16	17	220	S
RE61E032C	1" x 3/4"	19.5	19.5	30	36	41	16	26	450	M
RE61E050D	1 1/2"x1"	30	22.5	34	50	61	16	55	200	M
RE61E063C	2" X 3/4"	36	19.5	37	65	76	16	85	160	M
RE61E063D	2"x1"	36	22.5	37	65	76	16	97	120	M
RE61E063E	2"x1 1/4"	36	27	37	65	76	16	94	110	M
RE61E063F	2"x1 1/2"	36	21	37	65	76	16	96	110	M

## UN81 ★

### UNION WITH O-RING THREADED

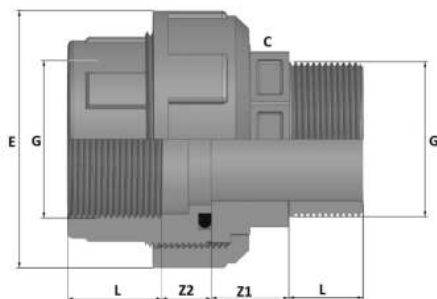
لاکور تجميع سن



Code	G	L	Z1	Z2	G1	E	O-ring	Gr	Pack	Box
UN81E0200	1/2"	16.5	4	11	1"	27	4081	45	180	S
UN81E0250	3/4"	19.5	5.7	13	1 1/4"	33	4112	72	220	M
UN81E0320	1"	22.5	5.9	13	1 1/2"	41	4131	100	150	M
UN81E0400	1 1/4"	27	7.6	17	2"	50	6162	160	80	M
UN81E0500	1 1/2"	30	13	24	2 1/4"	61	6187	220	60	M
UN81E0630	2"	36	15	30	2 3/4"	76	6237	400	30	M
UN81E0750	2 1/2"	36	17	32	3 1/2"	108	6312	635	35	L
UN81E0900	3"	50.5	23	36	4"	90	6362	850	24	L
UN81E1100	4"	63	27	40	5"	131	6450	1260	12	L

## US81 ★

### Union Male threaded / Female threaded with O-ring.



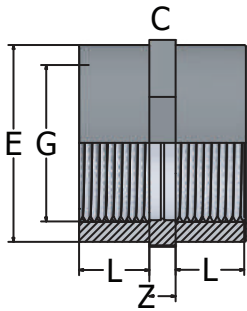
Code	G x G	L	E	G	Z1	Z2	C	Gr.
US81N0630	2" x 2"	28.6	98	2"	30	26.5	65	403
US81N0500	1 1/2" x 1 1/2"	24.5	81	1 1/2"	27.4	19	55	233

★ Available with Brass Union

## SO11

### SOCKET THREADED

جلبة سن

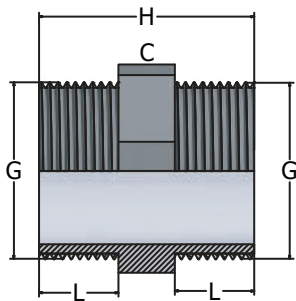


Code	G	L	Z	E	C	PN	Gr	Pack	Box
SO11E0200	1/2"	16.5	7	27	30	16	18	350	S
SO11E0250	3/4"	19.5	7	33	36	16	25	500	M
SO11E0320	1"	22.5	8	41	46	16	45	300	M
SO11E0400	1 1/4"	27	8	50	55	16	65	180	M
SO11E0500	1 1/2"	30	8	61	60	16	70	160	M
SO11E0630	2"	36	8	76	75	16	125	85	M
SO11E0750	2 1/2"	36	9	90	90	16	200	48	M

## NI61

### NIPPLE THREADED

نبل سن

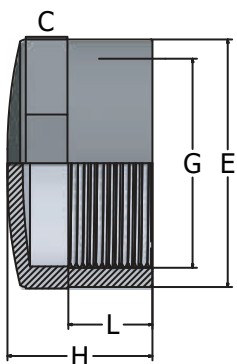


Code	G	L	H	C	PN	Gr	Pack	Box
NI61E0200	1/2"	16.5	42	24	16	11	500	S
NI61E0250	3/4"	19.5	44	30	16	18	450	M
NI61E0320	1"	22.5	50	36	16	28	450	M
NI61E0400	1 1/4"	27	58	46	16	47	240	M
NI61E0500	1 1/2"	30	58	55	16	61	160	M
NI61E0630	2"	36	66	65	16	98	200	L

## CA71

### CAP THREADED

طبة سن



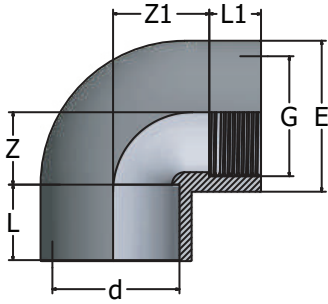
Code	G	L	H	E	C	PN	Gr	Pack	Box
CA71E0200	1/2"	16.5	26	28	30	16	13	450	S
CA71E0250	3/4"	19.5	28	34	36	16	19	280	S
CA71E0320	1"	22.5	32	42	46	16	30	180	S
CA71E0400	1 1/4"	27	35	51	55	16	56	120	S
CA71E0500	1 1/2"	30	35	58	60	16	84	230	M
CA71E0630	2"	36	39	72	75	16	113	125	M
CA71E0900	3"	50.5	56	103	105	16	270	45	M
CA71E1100	4"	63	64	130	130	16	499	30	M



## EL52

90° ELBOW PLAIN/ THREADED

كوع 90° لصق / سن

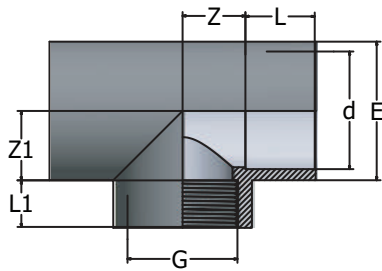


Code	dxG	L	L1	Z	Z1	E	PN	Gr	Pack	Box
EL52E 020B	20X1/2	16	15	11	12	27	16	20	300	S
EL52E 025C	25X3/4	19	16	13.5	16	33	16	35	350	M
EL52E 032D	32X1	22	19	17	20	41	16	60	200	M
EL52E 040E	40x1.1/4"	26	21	21	20	50	16	90	120	M
EL52E 050F	50X1 1/2	31	21	26	28	61	16	155	140	L
EL52E 063G	63X2	38	26	32.5	38	76	16	290	70	L

## TE42

90° TEE PLAIN/ THREADED

مشترك 90° لصق / سن

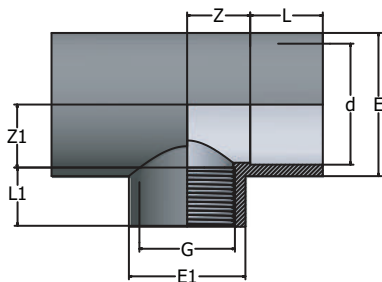


Code	dxG	L	L1	Z	Z1	E	Gr	Pack	Box
TE42E 020B	20X1/2	16	15	11	12	27	25	200	S
TE42E 025C	25X3/4	19	16	13.5	16	33	45	250	M
TE42E 032D	32X1	22	19	17	20	41	75	130	M
TE42E 040E	40/1.1/4"	26	21	21	20	50	120	80	M
TE42E 050F	50X1 1/2	31	21	26	28	61	195	90	L
TE42E 063G	63X2	38	26	32.5	38	76	350	50	L

## TR42

90° TEE REDUCED  
PLAIN/ THREADED

مشترك مخفض 90° لصق / سن

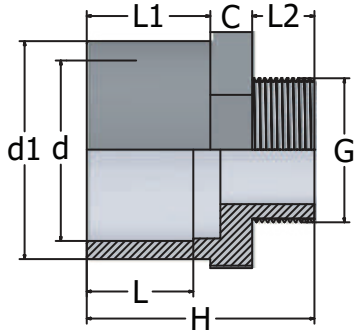


Code	dxG	L	L1	Z	Z1	E	E1	Gr	Pack	Box
TR42E 032C	32 x 3/4	22	19	17	17	41	33	68	140	M
TR42E 050B	50 x 1/2	31	16	26	26	61	27	165	50	M
TR42E 050D	50 x 1	31	22	26	26	61	41	170	50	M
TR42E 063B	63 X 1/2	38	16	32.5	33	76	27	280	30	M
TR42E 063D	63 x 1"	38	26	32.5	29.5	75	41.5	305	70	L

## AD12

### MALE ADAPTOR

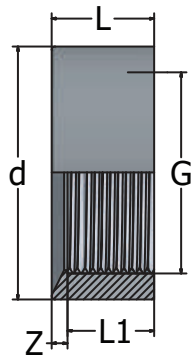
رأس خط سن خارجي



Code	dxd1xG	L	L1	L2	H	C	PN	Gr	Pack	Box
AD12E 020B	20x25x1/2"	16	19	15	46	27	16	15	350	S
AD12E 025B	25x32x1/2"	19	22	15	49	36	16	25	500	M
AD12E 025C	25x32x3/4"	19	22	16	50	36	16	26	480	M
AD12E 025D	25x32x1"	19	22	19	53	36	16	30	400	M
AD12E 032C	32x40x3/4"	22	26	16	54	42	16	35	330	M
AD12E 032D	32x40x1"	22	26	19	57	42	16	40	300	M
AD12E 040E	40x50x1"1/4	26	31	21	67	55	16	75	150	M
AD12E 040F	40x50x1"1/2	26	31	21	67	55	16	77	140	M
AD12E 050F	50x63x1"1/2	31	38	21	74	65	16	113	120	M
AD12E 050G	50x63x2"	31	38	26	78	65	16	120	170	L
AD12E 063F	63x75x1"1/2	38	44	21	80	75	16	160	90	M
AD12E 063G	63x75x2"	38	44	26	84	75	16	150	90	M
AD12E 075G	75x90x2"	44	51	26	94	95	16	280	45	M
AD12E 075H	75x90x2"1/2	44	51	30	99	95	16	270	45	M
AD12E 075I	75x90x3"	44	51	30	102	95	16	288	60	L
AD12E 090H	90x110x2"1/2	51	61	30	110	115	16	475	45	L
AD12E 090I	90x110x3"	51	61	33	110	115	16	490	45	L
AD12E 110I	110x125x3"	61	69	33	115	130	16	485	42	L
AD12E 110L	110x125x4"	61	69	39	120	130	16	490	30	L

## RB92

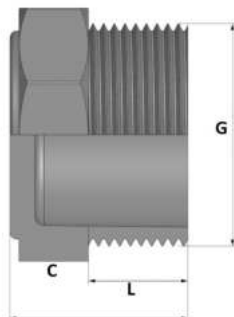
### ADAPTOR REDUCING BUSH



Code	dxG	L	L1	Z	PN	Gr	Pack	Box
RB92E 032B	32x1/2"	23	16	7.0	16	15	450	S
RB92E 032C	32x3/4"	16	16	5.7	16	12	450	S
RB92E 040D	40x1"	19	19	6.9	16	22	270	S
RB92E 050E	50x1"1/4	22	21	9.6	16	40	350	M

## PL71

### Plug Threaded



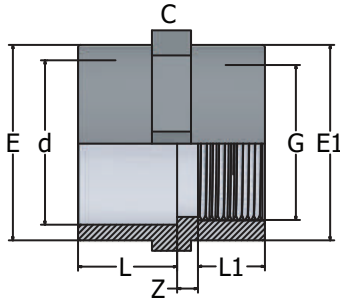
Code	G	L	H	C	Gr.
PL71N0250	3/4"	15.5	27.5	30	15
PL71N0320	1"	19.5	31.5	36	24
PL71N0500	1.1/2"	21.5	38	55	51
PL71N0630	2"	25.5	42	65	75



## SO12

### FEMALE ADAPTOR

جلبة لصق / سن

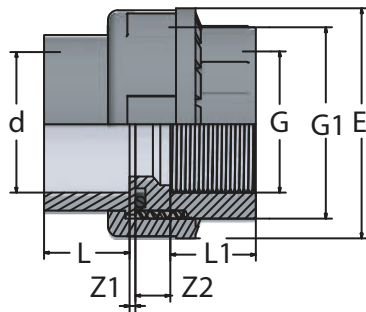


Code	dxG	L	L1	Z	E	E1	C	PN	Gr	Pack	Box
SO12E020B	20X1/2	16	16.5	3	27	27	30	16	15	350	S
SO12E025C	25X3/4	19	19.5	3	33	34	34	16	25	250	S
SO12E032D	32X1	22	22.5	3	41	41	42	16	38	300	M
SO12E040E	40X1 1/4"	26	27	3	50	50	55	16	61	180	M
SO12E050F	50X1 1/2"	31	30	3	61	60	65	16	95	120	M
SO12E063G	63X2	38	36	3	76	75	75	16	143	75	M
SO12E075H	75*2 1/2"	44	30	4	90	89	90	16	215	45	M
SO12E090I	90x3"	51	50	5	108	106	110	16	340	54	L
SO12E110L	110x4"	61	63	6	131	129	129	16	505	30	L

## UN82 ★

### UNION WITH O-RING PLAIN/ THREADED

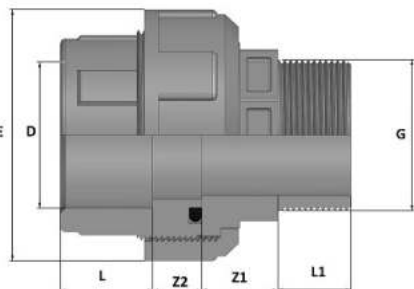
لاكور تجميع لصق / سن



Code	dxG	L	L1	Z1	Z2	G1	E	O-Ring	Gr	Pack	Box
UN82E020B	20x1/2"	16	16.5	3	11	1"	42	4081	42	180	S
UN82E025C	25x3/4"	19	19.5	3	13	1 1/4"	52	4112	70	220	M
UN82E032D	32x1"	22	22.5	3	13	1 1/2"	59	4131	95	130	M
UN82E040E	40x1 1/4"	26	27	3	17	2"	72	6162	155	80	M
UN82E050F	50x1 1/2"	31	30	3	24	2 1/4"	79	6187	210	60	M
UN82E063G	63x2"	38	30	3	30	2 3/4"	96	6237	390	30	M
UN82E075H	75x2 1/2"	44	36	3	32	3 1/2"	119	6312	625	35	L
UN82E090I	90x3"	51	50	5	36	4"	134	6362	820	24	L
UN82E110L	110x4"	61	63	5	40	5"	163	6450	1280	12	L

## US82 ★

### Union Plain / Male threaded with O-ring.

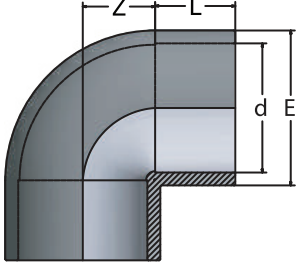


Code	D x G	L	L1	E	G	Z1	Z2	C	Gr.
US82N063G	63 x 2"	45	28.6	98	2"	30	14.5	65	403
US82N050F	50 x 1.1/2"	37	24.5	81	1.1/2"	27.4	12	55	233

**EL53**

90° ELBOW BS

كوع 90°

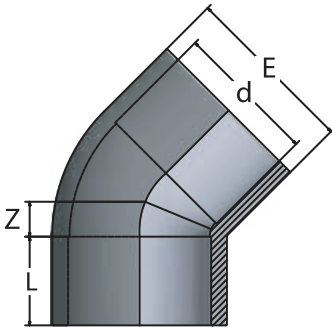


Code	d	L	Z	E	class	Gr	Pack	Box
EL53E 0200	1/2"	16.5	11	27	E	15	300	S
EL53E 0250	3/4"	19.5	13.5	33	E	24	350	M
EL53E 0320	1"	22.5	17	41	E	42	200	M
EL53E 0400	1 1/4"	27	21	50	E	72	120	M
EL53E 0500	1 1/2"	30	26	61	E	150	140	L
EL53E 0630	2"	36	32.5	76	E	285	70	L
EL53E 0750	2 1/2"	44	38.5	90	E	380	40	L
EL53E 0900	3"	50	46	108	E	655	25	L
EL53E 1100	4"	63	56	131	E	1080	14	L

**EY53**

45° ELBOW BS

كوع 45°

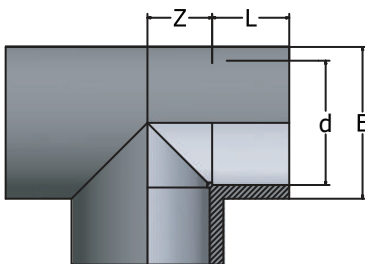


Code	d	L	Z	E	class	Gr	Pack	Box
EY53E 0200	1/2"	16.5	5	27	E	15	700	M
EY53E 0250	3/4"	19.5	6	33	E	25	450	M
EY53E 0320	1"	22.5	7.5	41	E	41	250	M
EY53E 0400	1 1/4"	27	9.5	50	E	59	150	M
EY53E 0500	1 1/2"	30	11.5	61	E	125	140	L
EY53E 0630	2"	36	14	76	E	215	70	L
EY53E 0900	3"	50	19.5	108	E	500	30	L
EY53E 1100	4"	63	24	131	E	920	16	L

**TE43**

90° TEE BS

مشارك 90°



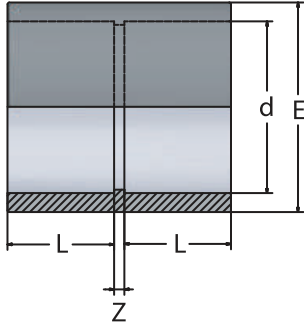
Code	d	L	Z	E	class	Gr	Pack	Box
TE43E 0200	1/2"	16.5	11	27	E	21	450	M
TE43E 0250	3/4"	19.5	13.5	33	E	35	250	M
TE43E 0320	1"	22.5	17	41	E	63	130	M
TE43E 0400	1 1/4"	26.5	21	50	E	101	80	M
TE43E 0500	1 1/2"	30	26	61	E	207	90	L
TE43E 0630	2"	36	32.5	76	E	365	50	L
TE43E 0900	3"	50	46	108	E	837	20	L
TE43E 1100	4"	63	56	131	E	1440	9	L



## SO13

### SOCKET BS

جلبة

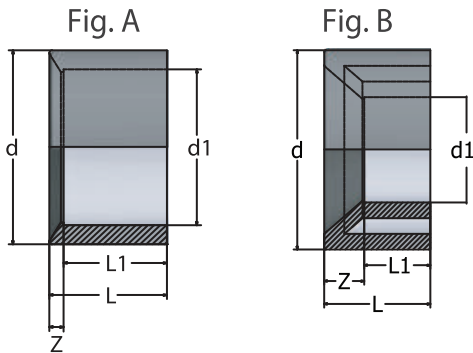


Code	d	L	Z	E	class	Gr	Pack	Box
SO13E 0200	1/2"	16.5	3	27	E	13	380	S
SO13E 0250	3/4"	19.5	3	33	E	20	500	M
SO13E 0320	1"	22.5	3	41	E	33	300	M
SO13E 0400	1 1/4"	27	3	50	E	50	200	M
SO13E 0500	1 1/2"	30	3	61	E	89	220	L
SO13E 0630	2"	36	3	76	E	168	125	L
SO13E 0900	3"	50	5	108	E	372	45	L
SO13E 1100	4"	63	6	131	E	620	27	L

## RB93

### REDUCING BUSH BS

بوش قصير

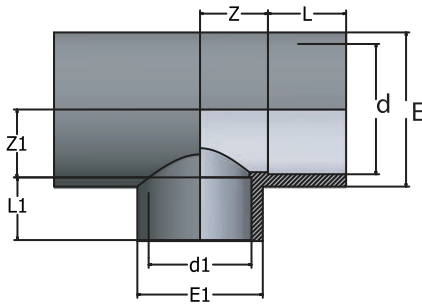


Code	dxd1	L	L1	Z	fig.	class	Gr	Pack	Box
RB93E 025B	3/4" x 1/2"	19.5	16.5	3	A	E	5	700	S
RB93E 032B	1" x 1/2"	22.5	16.5	6	A	E	12	400	S
RB93E 032C	1" x 3/4"	22.5	19.5	3	A	E	6	400	S
RB93E 040D	1 1/4 x 1"	27	22.5	4	A	E	15	250	S
RB93E 050C	1 1/2 x 3/4"	30	19.5	12	B	E	29	350	M
RB93E 050D	1 1/2 x 1"	30	22.5	9	B	E	32	350	M
RB93E 050E	1 1/2 x 1 1/4"	30	27	5	A	E	17	350	M
RB93E 063D	2" x 1"	36	22.5	16	B	E	52	180	M
RB93E 063F	2" x 1 1/2"	36	30	7	A	E	41	180	M
RB93E 090F	3" x 1 1/2"	50	30	20	B	E	159	65	M
RB93E 090G	3" x 2"	50	36	13	B	E	137	65	M
RB93E 110G	4" x 2"	63	36	23	B	E	337	36	M
RB93E 110I	4" x 3"	63	50	10	A	E	246	36	M

## TR43

90° TEE REDUCED BS

مشترك مخفض

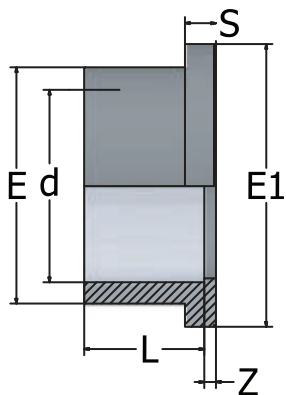


Code	dxd1	L	L1	Z	Z1	E	E1	class	Gr	Pack	Box
TR43E050B	1 1/2" X 1/2"	30	16.5	26	26	61	27	E	155	110	L
TR43E050C	1 1/2" X 3/4"	30	19.5	26	26	61	33	E	166	110	L
TR43E050D	1 1/2" X 1"	30	22.5	26	26	61	41	E	170	110	L
TR43E063C	2 X 3/4"	36	19.5	33	32.5	76	33	E	270	70	L
TR43E063D	2 X 1"	36	22.5	33	32.5	76	41	E	275	70	L
TR43E063F	2 X 1 1/2"	36	30	33	32.5	76	61	E	300	60	L
TR43E090F	3 X 1 1/2"	50.5	30	47	46	108	61	E	740	24	L
TR43E090G	3 1/2"	50.5	36	47	46	108	76	E	740	22	L
TR43E110F	4" X 1 1/2"	63	30	57	56	131	61	E	1250	12	L
TR43E110G	4 1/2"	63	36	57	56	131	76	E	1200	12	L

## ST23

STUB FLANGE BS

بردة



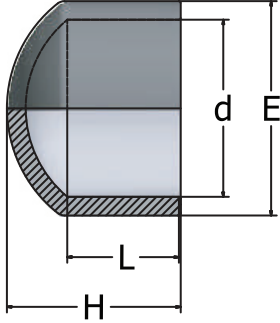
Code	d	L	Z	S	E	E1	Class	Gr	Pack	Box
ST23E0200	1/2"	16.5	3	6	27	34	E	10	550	S
ST23E0250	3/4"	19.5	3	6	33	41	E	14	350	S
ST23E0320	1"	22.5	3	6	41	50	E	23	200	S
ST23E0400	1 1/4"	26.6	3	8	50	61	E	48	250	M
ST23E0500	1 1/2"	30	3	8	61	73	E	68	180	M
ST23E0630	2"	36	3	8	76	90	E	128	90	M
ST23E0900	3"	50.5	5	10	108	125	E	272	70	L
ST23E1100	4"	63	5	11	131	150	E	361	45	L



## CA73

CAP BS

طبة

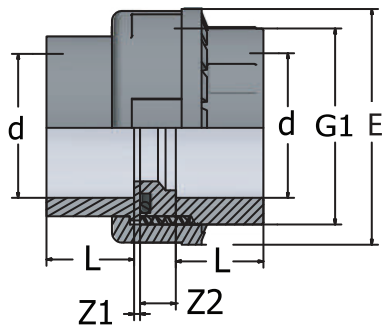


Code	d	L	H	E	class	Gr	Pack	Box
CA73E0200	1/2"	16	27	28	E	10	500	S
CA73E0250	3/4"	19	31	33	E	16	350	S
CA73E0320	1"	22	36	41	E	26	450	M
CA73E0400	1.1/4"	26	43	50	E	40	300	M
CA73E0500	1 1/2"	31	49	60.5	E	73	180	M
CA73E0630	2"	38	57	75	E	128	100	M
CA73E0750	2 1/2"	44	67	89	E	178	60	M
CA73E0900	3"	51	80	106	E	310	65	L
CA73E1100	4"	61	95	132	E	520	40	L

## UN83

UNION WITH O-RING BS

لاکور تجميع

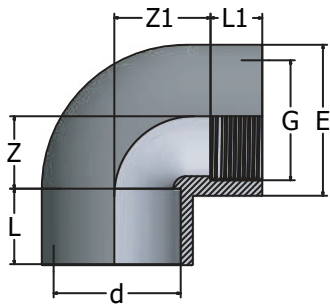


Code	d	L	Z1	Z2	G1	E	O-Ring	class	Gr	Pack	Box
UN83E0200	1/2"	16	3	10	1"	42	4081	E	41	180	S
UN83E0250	3/4"	19	3	10	1 1/4"	52	4112	E	67	220	M
UN83E0320	1"	22	3	10	1 1/2"	59	4131	E	90	130	M
UN83E0400	1 1/4"	26	3	12	2"	72	6162	E	135	80	M
UN83E0500	1 1/2"	31	3	14	2 1/4"	79	6187	E	206	120	L
UN83E0630	2"	38	3	18	2 3/4"	96	6237	E	360	60	L
UN83E0900	3"	51	5	18	4"	134	6362	E	777	24	L
UN83E1100	4"	61	5	18	5"	163	6450	E	1150	12	L

## EL54

90° ELBOW BS Plain/Threaded

كوع لصق / سن 90°

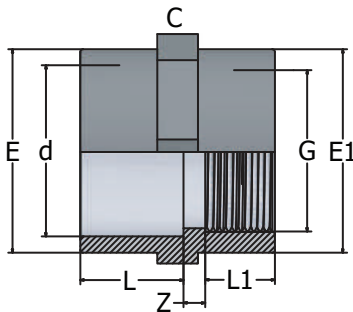


Code	dxG	L	L1	Z	Z1	E	Gr	Pack	Box
EL54E 020B	1/2X1/2	16.5	15	11	12	27	15	300	S
EL54E 025C	3/4X3/4	19.5	16	13.5	16	33	27	350	M
EL54E 032D	1X1	22.5	19	17	20	41	48	200	M
EL54E 040E	1"1/4x1"1/4	27	21	21	20	50	72	120	M
EL54E 050F	11/2X11/2	30	21	26	28	61	162	140	L
EL54E 063G	2X2	36	26	32.5	38	76	310	70	L

## SO14

FEMALE ADAPTOR

جلبة

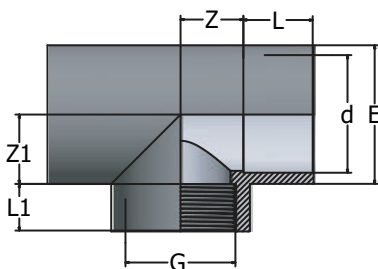


Code	dxG	L	L1	Z	E	E1	C	Gr	Pack	Box
SO14E 020B	1/2"X1/2"	16.5	15	3	27	28	24	15	350	S
SO14E 025C	3/4"X3/4"	19.5	16	3	33	34	30	22	250	M
SO14E 032D	1"X1"	22.5	19	3	41	42	34	33	300	M
SO14E 040E	1"1/4x1"1/4	27	21	3	51	50	42	63	180	M
SO14E 050F	11/2"X11/2"	30	21	3	61	58	55	100	120	M
SO14E 063G	2"X2"	36	26	3	76	72	65	158	75	M
SO14E 090I	3"x3"	50	33	5	108	106	90	347	54	L
SO14E110L	4"x4"	63	39	6	131	129	110	508	30	L

## TE44

90° TEE BS Plain/Threaded

مشارك لصق / سن 90°



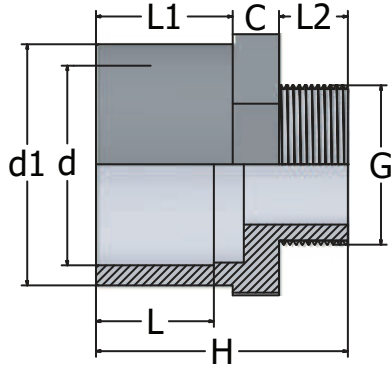
Code	dxG	L	L1	Z	Z1	E	Gr	Pack	Box
TE44E 020B	1/2"x1/2"	16.5	15	11	12	27	25	200	S
TE44E 025C	3/4"x3/4"	19.5	16	13.5	16	33	38	250	M
TE44E 032D	1"x1"	22.5	19	17	20	41	69	130	M
TE44E 040E	1"1/4x1"1/4	27	21	21	20	51	106	80	M
TE44E 050F	1"1/2x1"1/2	30	21	26	28	61	213	90	L
TE44E 063G	2"x2"	36	26	32.5	38	76	380	50	L



## AD14

### MALE THREADED ADAPTOR BS

رأس خط سن خارجي

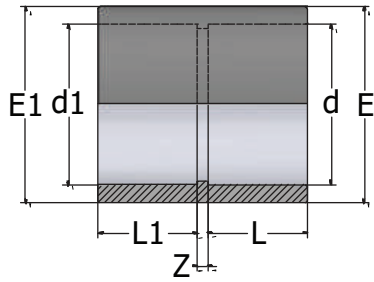


Code	dXd1XG	L	L1	L2	H	C	Gr	Pack	Box
AD14E 020B	1/2"x3/4"x1/2"	16.5	19.5	15	46	27	15	350	S
AD14E 025C	3/4"x1"x3/4"	19.5	22.5	16	50	36	27	450	M
AD14E 032D	1"x1.1/4" x 1"	22.5	27	19	57	42	43	250	M
AD14E 040F	1"1/4x1"1/2"x1"1/2"	27	30	21	67	55	64	140	M
AD14E 050F	1.1/2" x2"x 1.1/2"	30	36	21	74	65	110	120	M
AD14E 063G	2"X21/2"X2"	36	44	26	84	75	152	90	M
AD14E 063H	2"x2"1/2x2"1/2"	36	44	30	91	80	180	90	L
AD14E 090I	3" x 4" x 3"	51	63	33	113	119	578	45	L
AD14E 110L	4" x 5" x 4"	63	69	39	120	130	426	30	L

## SO15

### ADAPTOR SOCKET

جلبة

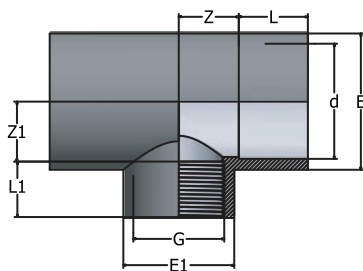


Code	dxd1	L1	L2	Z	E	E1	PN	Gr	Pack	Box
SO15E 020B	20X1/2"	16	16.5	3	27	28	16	11	380	S
SO15E 025C	25X3/4"	19	19.5	3	33	33	16	17	500	M
SO15E 032D	32X1	22	22.5	3	41	41	16	27	300	M
SO15E 040E	40X1.1/4"	26	27	3	50	50	16	45	200	M
SO15E 050F	50X1.1/2"	31	30	3	61	61	16	64	220	L
SO15E 063G	63X2"	38	36	3	76	76	16	109	125	L

## TR44

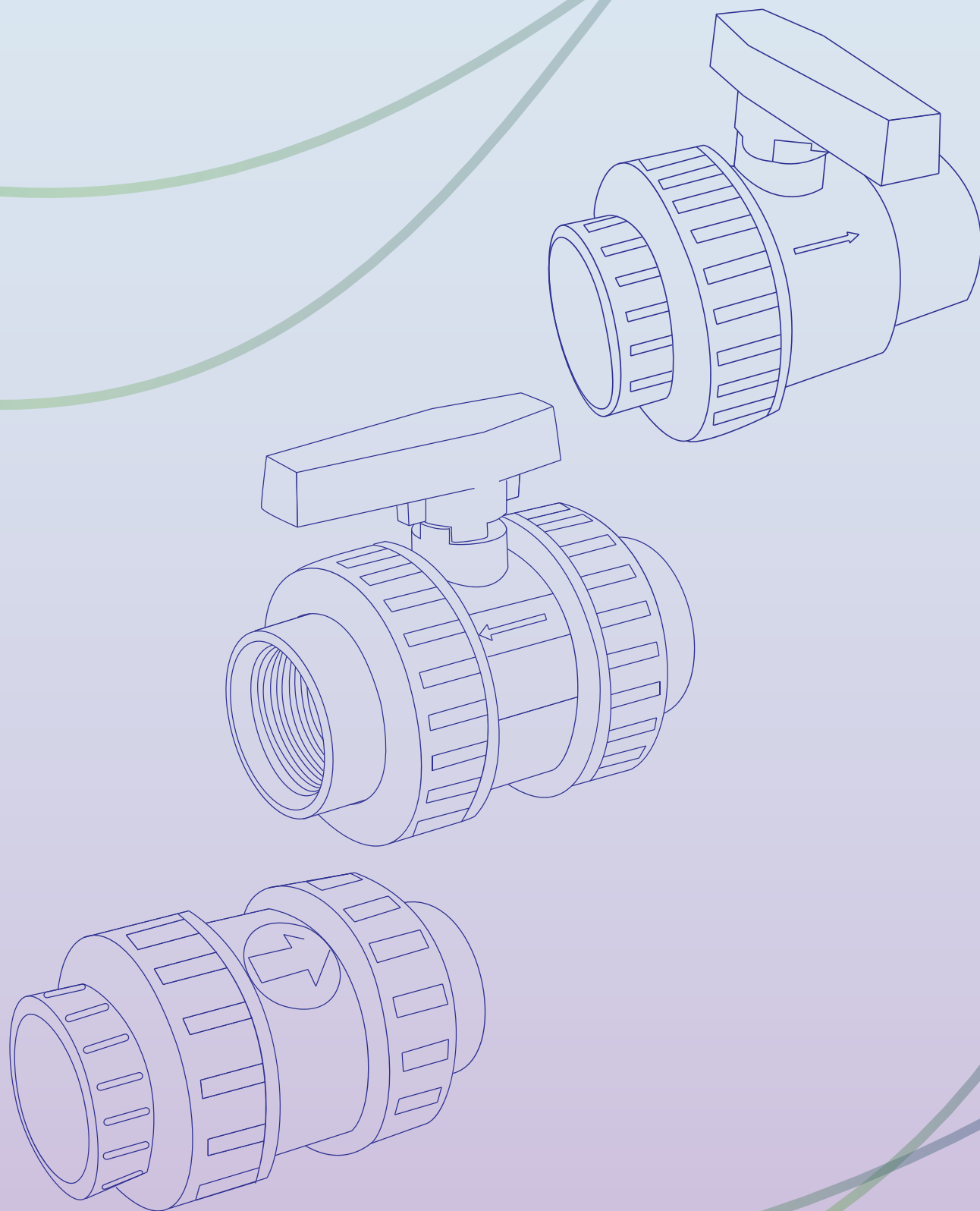
### 90° TEE REDUCED

مشترك مخفض



Code	dxG	L	L1	Z	Z1	E	E1	Gr	Pack	Box
TR44E 032B	1" X 1/2"	22	16	17	12	41	27	10199	16	M
TR44E 032C	1" X 3/4"	22	19.5	17	17	41	33	71745	14	M
TR44E 050B	1.1/2"X1/2"	31	16	26	12	61	27	1562	110	L
TR44E 050C	1.1/2" X3/4"	31	19.5	26	17	61	33	16774	110	L
TR44E 063B	2" X 1/2"	38	16	32.5	12	76	33	2692	70	L
TR44E 063C	2"X 3/4"	38	19.5	32.5	17	76	33	27174	70	L

# UPVC VALVES





## Technical Data

### UPVC VALVES - General characteristics

---

Our compact type, double and single union ball valves are characterized by low torque and full bore, and can be used, where applicable, as end stop valves. These features make These Valves the obvious choice for use in water treatment swimming pools foodstuff and potable water systems and with non-reactive chemicals.

### Installation and use

---

When gluing the end connector on the pipe, care must be taken to prevent the glue or solvent from coming into contact with the valve seats or ball. Parallel threaded ends should not be connected with taper male heads and the use of hems or similar materials should be avoided. Special attention should be paid to the correct line-up of the installation and to the pipe length. Tighten the union nut hand-tight only. The use of a wrench is not recommended. It is important that the unions are not used to pull the system together. If there is any leakage from the union nuts, please check the correct line-up of the system and the pipe length. Excessive tightening of the union could break them. Before the valve is commissioned all dirt, sand or other material should be flushed from the system. This is to prevent scarring of the ball and/or seats. Avoid rapid closing / opening of the valve to eliminate the possibility of water hammer causing damage to the pipeline. It is important that all installation and maintenance personnel become familiar with the proper solvent cement and thread jointing procedures.

### Assembling & Disassembling instructions in case of maintenance

---

#### Double union BVD

The whole body of the valve can be removed from the installation by unscrewing the union nuts. To reach the internal parts of the valve, proceed as follows:

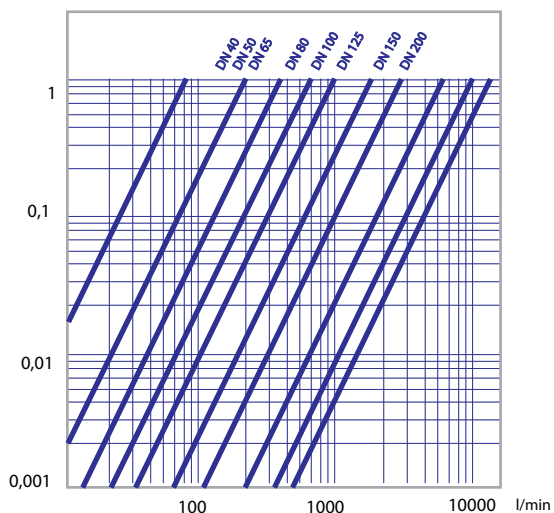
- A) Set the valve open.
- B) Remove the handle 1 from control stem 2
- C) Unscrew the sealing bush 7 off the body 3 using the two teeth (d) of the Handle 1 unscrewing operations should be done counter-clockwise.
- D) After having unscrewed the sealing bush 7 it is possible to dismantle all the internal parts of the valve and to check the O-rings. To remove the ball 6, turn the control stem 90° to the closed position. The ball can then be removed through the control stem 2. To remove the control stem push it downwards as far as possible. To reassemble the valve follows the instructions in reverse order, being careful to set the O-ring properly and grease it with silicone grease.

#### Single Union BVS

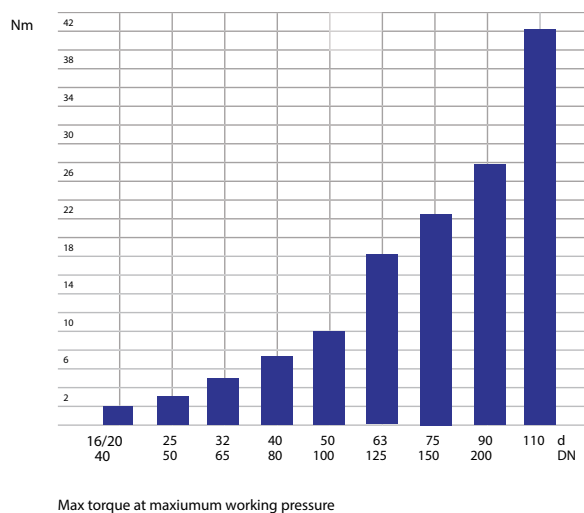
Positioning this valve in an installation, take care that it's not possible to remove it from the installation by unscrewing the union nut. To disassemble and reassemble the valve, follow the instructions of BVD version from point A to D.

\* All our check valves are manufactured to the same dimensions as our valves BVD 10/11/13 and can be removed from the installation by unscrewing the union nuts. Our whilst type CVD is a spring loaded check valve. Types FVD are foot valves, ARV is an air release valve.

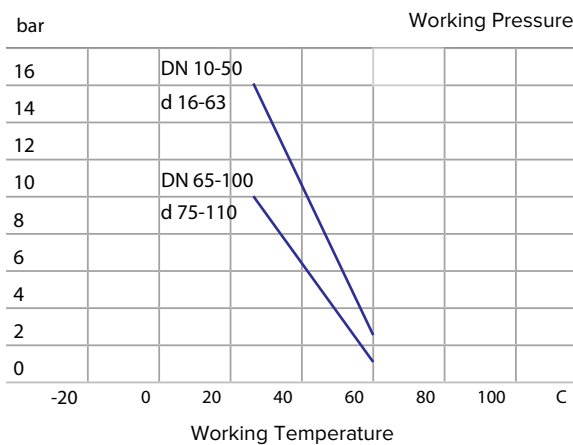
Pressure Chart



Working pressure



- Pressure/temperature rating for water and other suitable fluids to which PVC is Resistant.

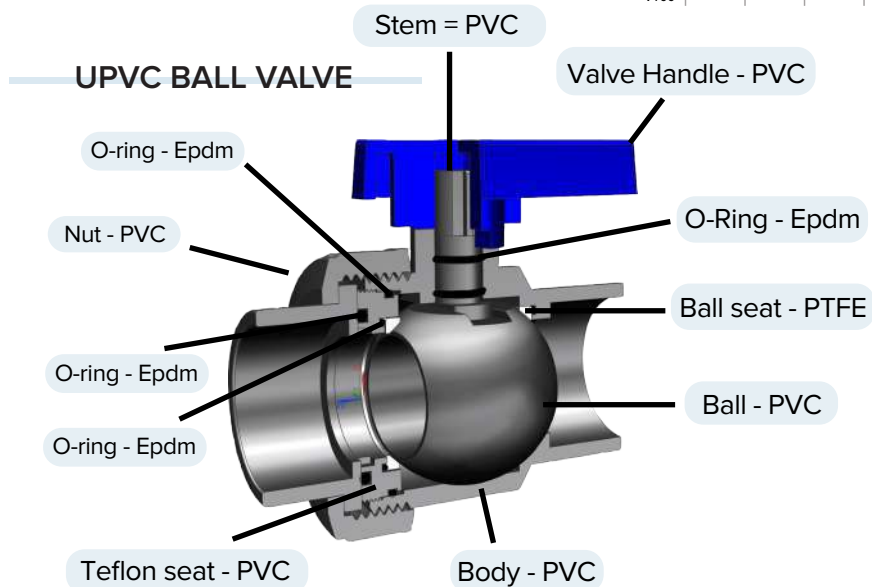


Flow Coefficient KV 100:

kV100 is the number of litres per minute of water at a temperature of 20 C that will flow through a valve with one-bar pressure differential at a specified rate. the kV100 valves shown in the table are calculated with the valve completely open.

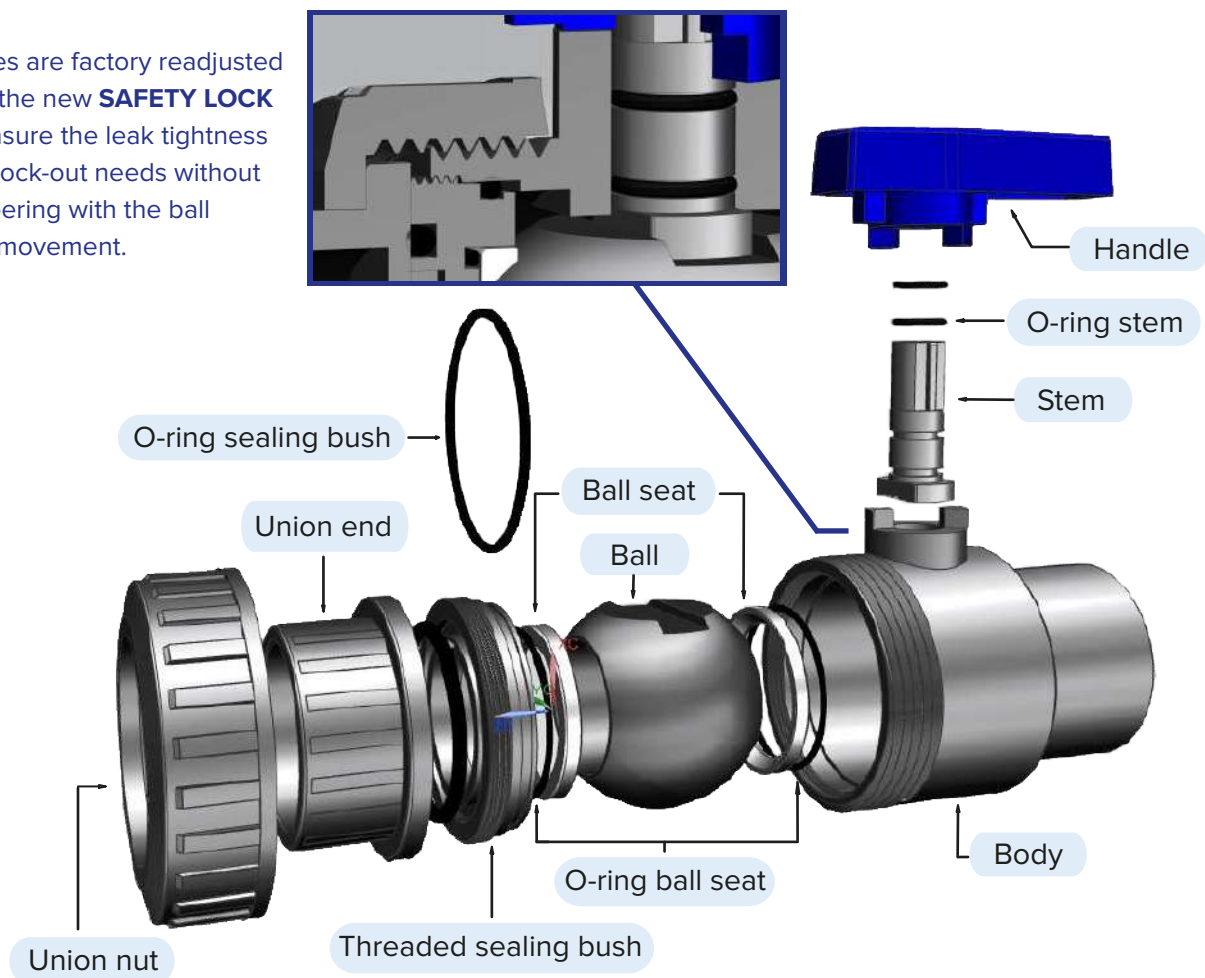
d	16	20	25	32	40	50	63	75	90	110
DN	10	15	20	25	32	40	50	65	80	100
K <sub>V100</sub>	80	200	385	770	1100	1750	3400	5250	7100	9500

Valves certified according to EN 1267



## UPVC BALL VALVE WITH SAFETY LOCK

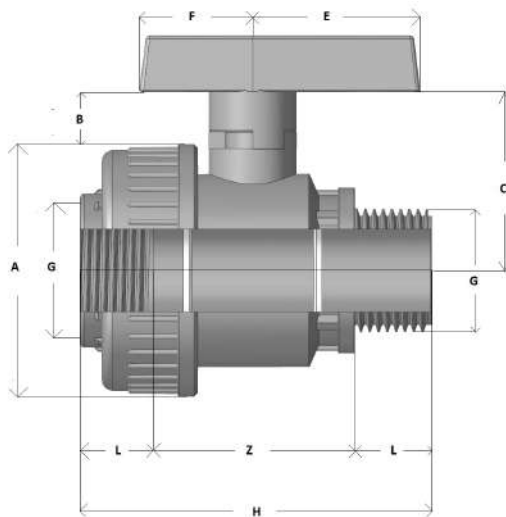
Valves are factory readjusted with the new **SAFETY LOCK** to ensure the leak tightness and lock-out needs without tampering with the ball free movement.



### BVSL15

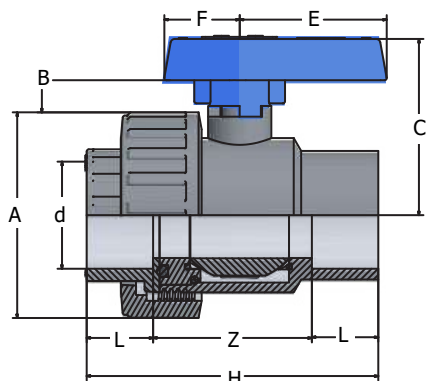
Single union ball valve with male threaded ends

Code	G	DN	L	Z	H	A	B	C	E	F	PN
BVSL15E0320	1"	25	19.5	53	92	67	14	62	44	25	10



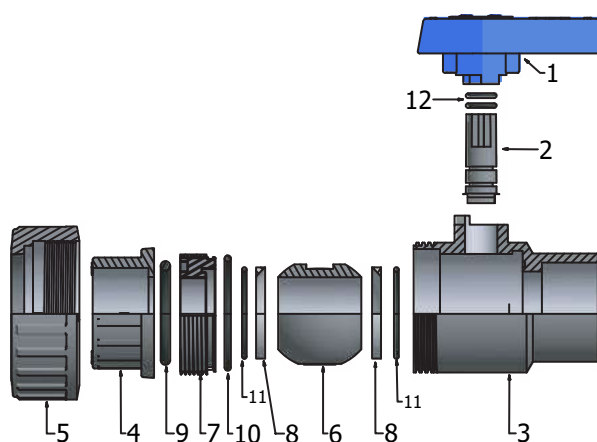
## BVSL 10

Single union ball valve with adjustable seat & female plain ends



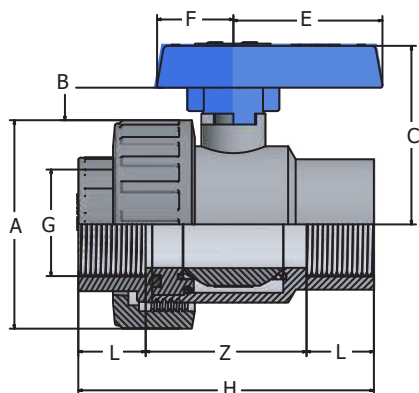
Pos.	Components	N°	Material	Pos.	Components	N°	Material
1	Handle	1	PVC	7	Support	1	PVC
2	Stem	1	PVC	8	Ball Seat	2	PTFE
3	Body	1	PVC	9	Union o-ring	2	EPDM
4	Union end	2	PVC	10	O-ring sealing bush	1	EPDM
5	Union Nut	2	PVC	11	O-ring ball seat	2	EPDM
6	Ball	1	PVC	12	O-ring stem	2	EPDM

d	DN	L	Z	H	A	B	C	E	F	PN	Gr
20	15	16	44	76	50	10	48	39	19	16	110
25	20	19	52	90	60	11	54	47	22	16	170
32	25	22	58	102	68	13	62	55	25	16	250
40	32	26	66	118	80	18	75	60	30	16	370
50	40	31	74	136	96	20	87	68	35	16	560
63	50	38	92	168	116	20	101	80	40	16	980
75	65	44	126	214	145	25	123	90	45	10	1825
90	80	51	138	240	166	28	138	100	50	10	2900
110	100	61	153	275	210	28	160	120	60	10	4790



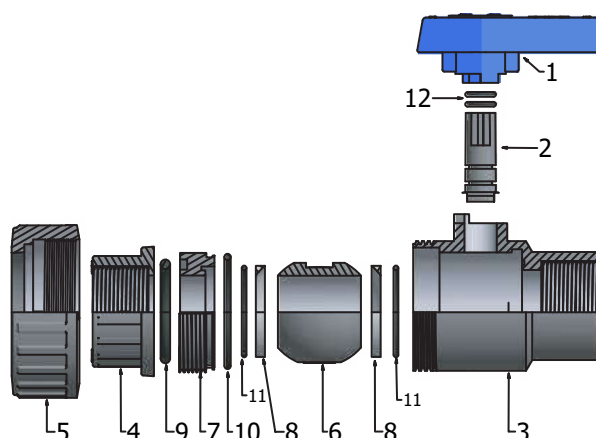
## BVSL 11

Single union ball valve with adjustable seat & female threaded ends



Pos.	Components	N°	Material	Pos.	Components	N°	Material
1	Handle	1	PVC	7	Support	1	PVC
2	Stem	1	PVC	8	Ball Seat	2	PTFE
3	Body	1	PVC	9	Union o-ring	2	EPDM
4	Union end	2	PVC	10	O-ring sealing bush	1	EPDM
5	Union Nut	2	PVC	11	O-ring ball seat	2	EPDM
6	Ball	1	PVC	12	O-ring stem	2	EPDM

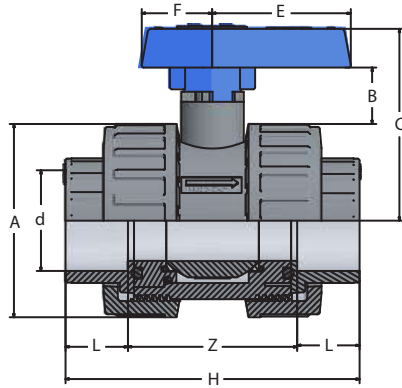
G	DN	L	Z	H	A	B	C	E	F	PN	Gr
1/2"	15	16	44	76	50	10	48	39	19	16	110
3/4"	20	19	52	90	60	11	54	47	22	16	170
1"	25	22	58	102	68	13	62	55	25	16	250
1 1/4"	32	26	66	118	80	18	75	60	30	16	370
1 1/2"	40	31	74	136	96	20	87	68	35	16	580
2"	50	38	92	168	116	20	101	80	40	16	1030
2 1/2"	65	44	126	214	145	25	123	90	45	10	1870
3"	80	51	138	240	166	28	138	100	50	10	2950
4"	100	61	153	275	210	28	160	120	60	10	4850





## BVDL 10

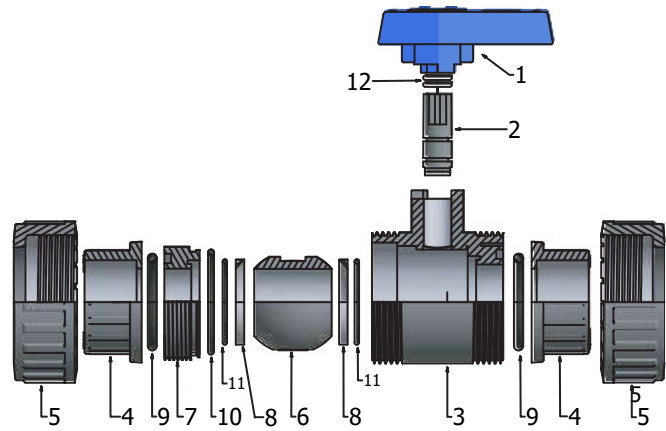
Double union ball valve  
with adjustable seat &  
female plain ends



Pos.	Components	N°	Material
1	Handle	1	PVC
2	Stem	1	PVC
3	Body	1	PVC
4	Union end	2	PVC
5	Union Nut	2	PVC
6	Ball	1	PVC

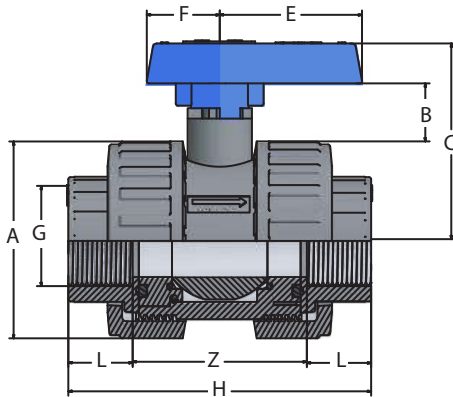
Pos.	Components	N°	Material
7	Sealing Bush	1	PVC
8	Ball Seat	2	PTFE
9	Union o-ring	2	EPDM
10	O-ring sealing bush	1	EPDM
11	O-ring ball seat	2	EPDM
12	O-ring stem	2	EPDM

d	DN	L	Z	H	A	B	C	E	F	PN	Gr
20	15	16	49	81	50	10	48	39	19	16	130
25	20	19	56	94	60	11	54	47	22	16	210
32	25	22	63	107	68	13	62	55	25	16	310
40	32	26	72	124	80	18	75	60	30	16	450
50	40	31	84	146	96	20	87	68	35	16	700
63	50	38	94	170	116	20	101	80	40	16	1180
75	65	44	130	218	145	25	123	90	45	10	2260
90	80	51	148	250	166	28	138	100	50	10	3520
110	100	61	168	290	210	28	160	120	60	10	5830



## BVDL 11

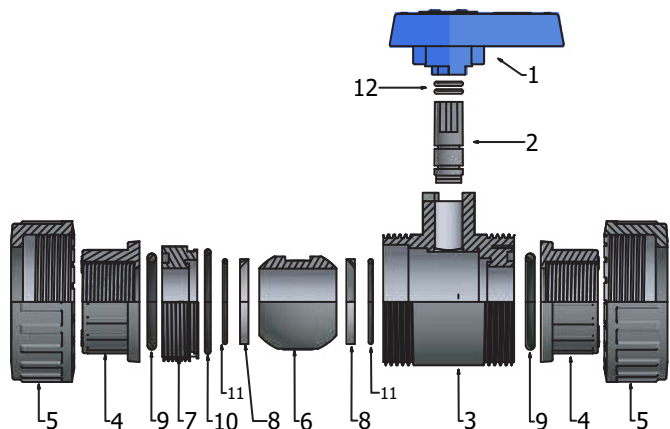
Double union ball valve  
with adjustable seat &  
female threaded ends



Pos.	Components	N°	Material
1	Handle	1	PVC
2	Stem	1	PVC
3	Body	1	PVC
4	Union end	2	PVC
5	Union Nut	2	PVC
6	Ball	1	PVC

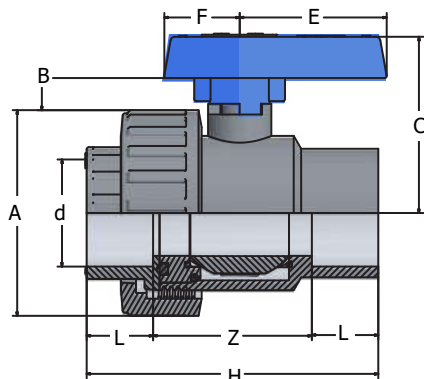
Pos.	Components	N°	Material
7	Sealing Bush	1	PVC
8	Ball Seat	2	PTFE
9	Union o-ring	2	EPDM
10	O-ring sealing bush	1	EPDM
11	O-ring ball seat	2	EPDM
12	O-ring stem	2	EPDM

d	DN	L	Z	H	A	B	C	E	F	PN	Gr
1/2"	15	16	49	81	50	10	48	39	19	16	130
3/4"	20	19	56	94	60	11	54	47	22	16	210
1"	25	22	63	107	68	13	62	55	25	16	310
1 1/4"	32	26	72	124	80	18	75	60	30	16	450
1 1/2"	40	31	84	146	96	20	87	68	35	16	730
2"	50	38	94	170	116	20	101	80	40	16	1220
2 1/2"	65	44	130	218	145	25	123	90	45	10	2300
3"	80	51	148	250	166	28	138	100	50	10	3650
4"	100	61	168	290	210	28	160	120	60	10	6000



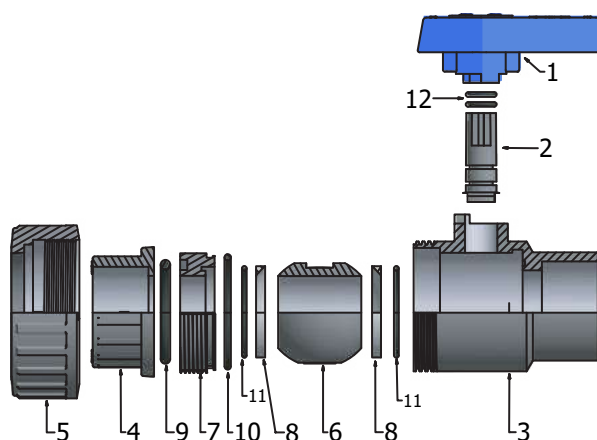
## BVSL 13

Single union ball valve with adjustable seat & BS male plain ends



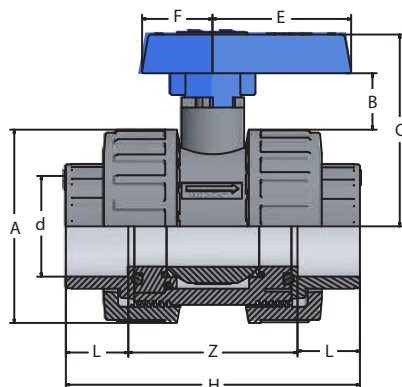
Pos.	Components	N°	Material	Pos.	Components	N°	Material
1	Handle	1	PVC	7	Support	1	PVC
2	Stem	1	PVC	8	Ball Seat	2	PTFE
3	Body	1	PVC	9	Union o-ring	2	EPDM
4	Union end	2	PVC	10	O-ring sealing bush	1	EPDM
5	Union Nut	2	PVC	11	O-ring ball seat	2	EPDM
6	Ball	1	PVC	12	O-ring stem	2	EPDM

d	DN	L	Z	H	A	B	C	E	F	Class	PN	Gr
½"	15	16	44	76	50	10	48	39	19	E	16	105
¾"	20	19	52	90	60	11	54	47	22	E	16	170
1"	25	22	58	102	68	13	62	55	25	E	16	250
1¼"	32	26	66	118	80	18	75	60	30	E	16	370
1½"	40	31	74	136	96	20	87	68	35	E	16	448
2"	50	38	92	168	116	20	101	80	40	E	16	784
2½"	65	44	126	214	145	25	123	90	45	D	16	1460
3"	80	51	133	240	166	28	138	100	50	D	10	2320
4"	100	61	153	275	210	28	160	120	60	D	10	3832



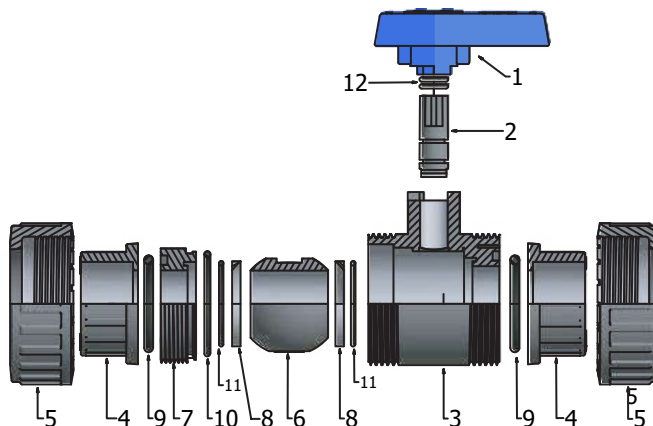
## BVDL 13

Double union ball valve with adjustable seat & BS female plain ends



Pos.	Components	N°	Material	Pos.	Components	N°	Material
1	Handle	1	PVC	7	Support	1	PVC
2	Stem	1	PVC	8	Ball Seat	2	PTFE
3	Body	1	PVC	9	Union o-ring	2	EPDM
4	Union end	2	PVC	10	O-ring sealing bush	1	EPDM
5	Union Nut	2	PVC	11	O-ring ball seat	2	EPDM
6	Ball	1	PVC	12	O-ring stem	2	EPDM

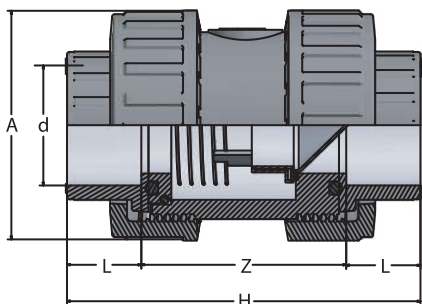
D	DN	L	Z	H	A	B	C	E	F	Class	PN	Gr
½"	15	16	49	81	50	10	48	39	19	E	16	130
¾"	20	19	56	94	60	11	54	47	22	E	16	200
1"	25	22	63	107	68	13	62	55	25	E	16	295
1¼"	32	26	72	124	80	18	75	60	30	E	16	440
1½"	40	31	84	146	96	20	87	68	35	E	16	720
2"	50	38	94	170	116	20	101	80	40	E	16	1190
2½"	65	44	130	218	145	25	123	90	45	D	16	2210
3"	80	51	148	290	166	28	138	100	50	D	10	3520
4"	100	61	168	290	210	28	160	120	60	D	10	5150





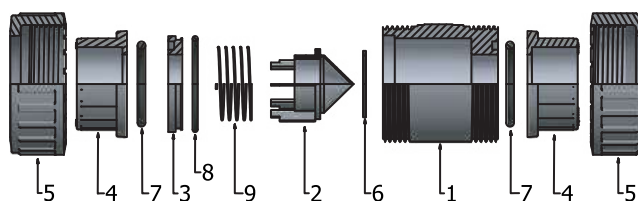
## CVD 10

Check valve with female sockets for solvent welding



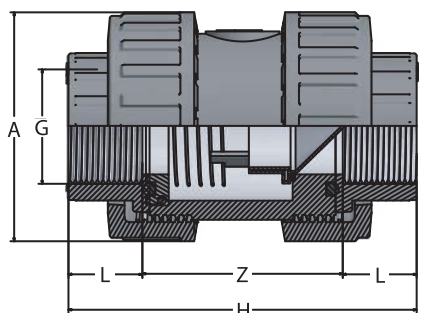
Pos.	Components	N°	Material
1	Body	1	PVC
2	Shutter	1	PVC
3	Sealing bush	1	PVC
4	union	2	PVC
5	Union but	2	PVC
6	Gasket	1	EPDM
7	Union O-ring	2	EPDM
8	O-ring	1	EPDM
9	Spring	1	INOX

d	DN	L	Z	H	A	PN	Gr
20	15	16	49	81	50	16	110
25	20	19	56	94	60	16	170
32	25	22	63	107	68	16	250
40	32	26	72	124	80	16	370
50	40	31	84	146	96	16	560
63	50	38	94	170	116	16	980
75	65	44	130	218	145	10	1740
90	80	51	148	250	166	10	2770
110	100	61	168	290	210	10	4740



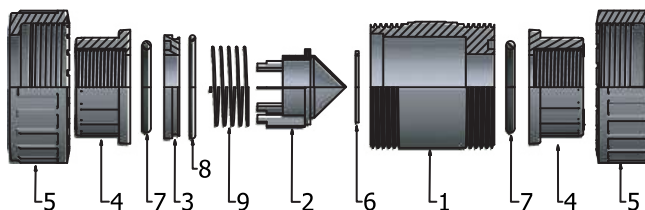
## CVD 11

Check valve female with female threaded sockets



Pos.	Components	N°	Material
1	Body	1	PVC
2	Shutter	1	PVC
3	Sealing bush	1	PVC
4	union	2	PVC
5	Union but	2	PVC
6	Gasket	1	EPDM
7	Union O-ring	2	EPDM
8	O-ring	1	EPDM
9	Spring	1	INOX

G	DN	L	Z	H	A	PN	Gr
1/2"	15	16	49	81	50	16	110
3/4"	20	19	56	94	60	16	170
1"	25	22	63	107	68	16	250
1 1/4"	32	26	72	124	80	16	370
1 1/2"	40	31	84	146	96	16	560
2"	50	38	94	170	116	16	980
2 1/2"	65	44	130	218	145	10	1740
3"	80	51	148	250	166	10	2770
4"	100	61	168	290	210	10	4740



Minimum pressure drop in the fully open position

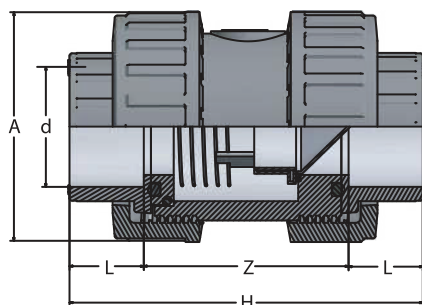
d	20	25	32	40	50	63	75	90	110
R	1 1/2"	3/4"	1"	1 1/4"	1 1/2"	2"	2 1/2"	3"	4"
bar	0.010	0.010	0.015	0.015	0.020	0.020	0.030	0.030	0.030

Minimum back pressure for tight service (valve in closed position)

d	20	25	32	40	50	63	75	90	110
R	1 1/2"	3/4"	1"	1 1/4"	1 1/2"	2"	2 1/2"	3"	4"
bar	0.010	0.010	0.015	0.015	0.020	0.020	0.030	0.030	0.030

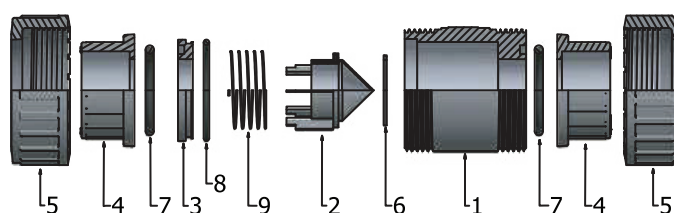
## CVD13

Check valve with BS female socket for solvent welding



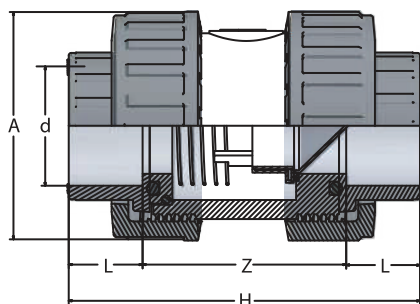
Pos.	Components	N°	Material
1	Body	1	PVC
2	Shutter	1	PVC
3	Sealing bush	1	PVC
4	union	2	PVC
5	Union but	2	PVC
6	Gasket	1	EPDM
7	Union O-ring	2	EPDM
8	O-ring	1	EPDM
9	Spring	1	INOX

d	DN	L	Z	H	A	PN	Gr
1/2"	15	16	49	81	50	16	110
3/4"	20	19	56	94	60	16	168
1"	25	22	63	107	68	16	246
1 1/4"	32	26	72	124	80	16	360
1 1/2"	40	31	84	146	96	16	552
2"	50	38	94	170	116	16	931
2 1/2"	65	44	130	218	145	10	1740
3"	80	51	148	250	166	10	2810
4"	110	61	168	290	210	10	4690

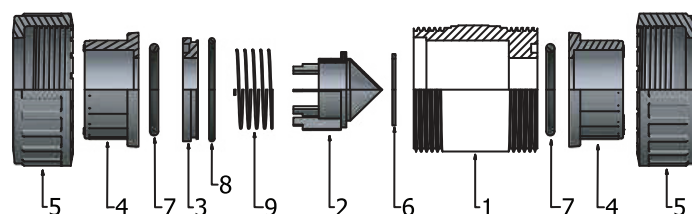


## CVDC10

Check ball valve with transparent body



d	DN	L	Z	H	A	PN	Gr
20	15	16	49	81	50	16	110
25	20	19	56	94	60	16	170
32	25	22	63	107	68	16	250
40	32	26	72	124	80	16	370
50	40	31	84	146	96	16	560
63	50	38	94	170	116	16	980
75	65	44	130	218	145	10	1740
90	80	51	148	250	166	10	2770
110	100	61	168	290	210	10	4740



Pos.	Components	N°	Material
1	Body	1	Polycarbonate
2	Shutter	1	PVC
3	Sealing bush	1	PVC
4	union	2	PVC
5	Union but	2	PVC
6	Gasket	1	EPDM
7	Union O-ring	2	EPDM
8	O-ring	1	EPDM
9	Spring	1	INOX

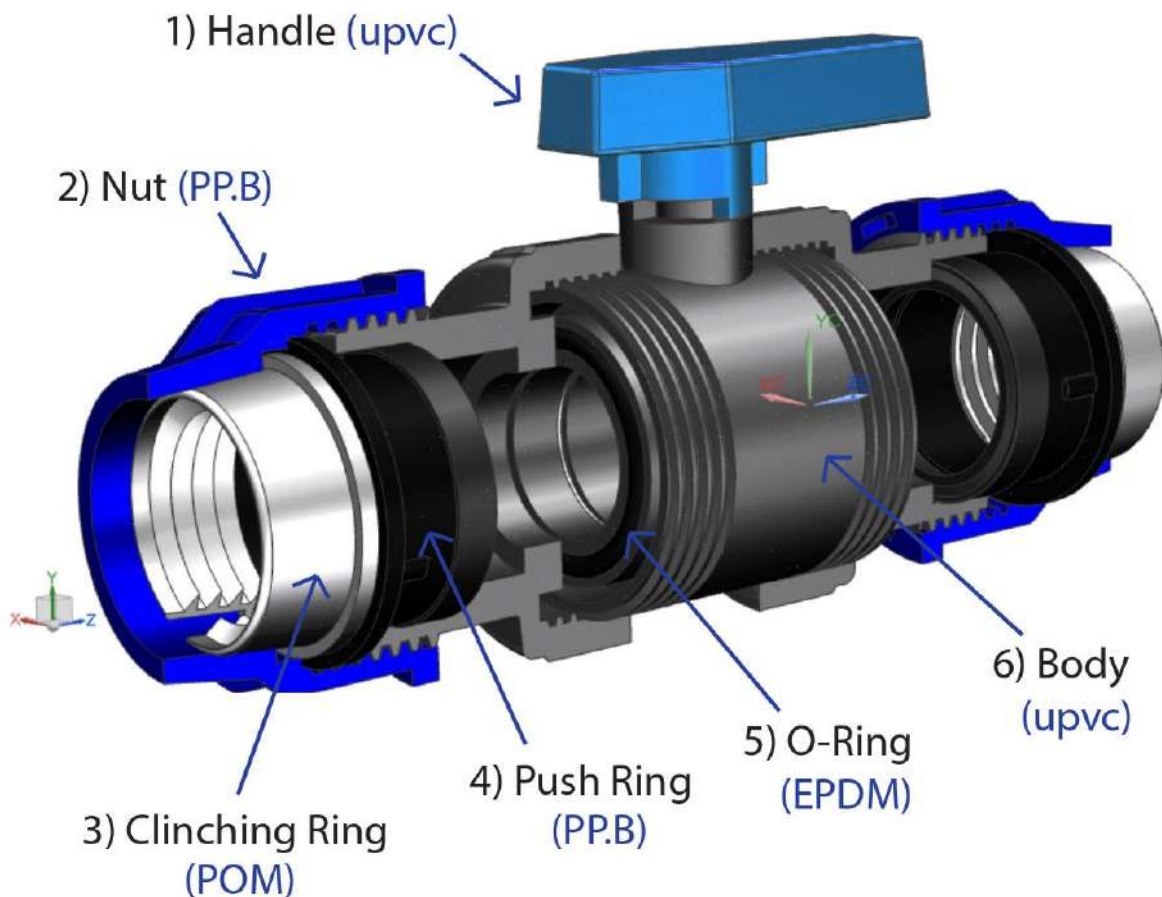
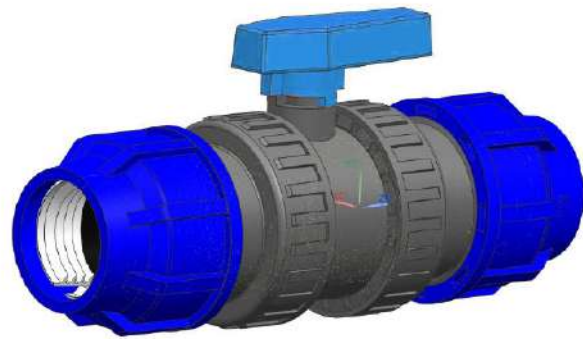




## Compression Valves

- Our UPVC Ball Valve has been transformed with compression fitting junction to connect PE ISO metric pipes from both sides.
- Operating pressure: PN16 @ 20 °C

No.	Components	Material
1	Handle	UPVC
2	Nut	PP.B
3	Clinching Ring	POM
4	Push Ring	PP.B
5	O-Ring	EPDM
6	Body	UPVC

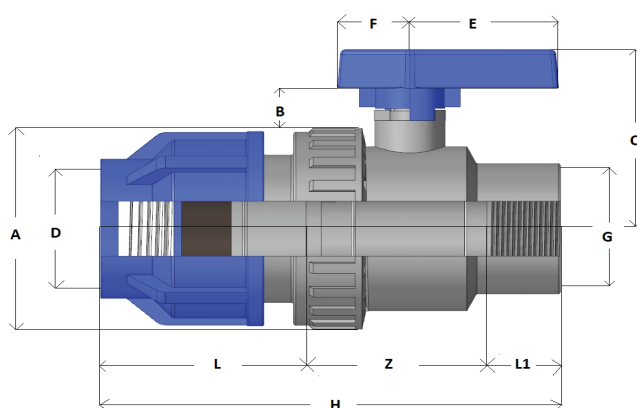


## BVSL19

Single union ball valve  
with quick coupling for P.E



Code	G x D	DN	L	L1	Z	H	A	B	C	E	F	PN	Gr
BVSL19N020B	1/2" x 20	16	51	17	56	124	50	10	47	37	18	16	244
BVSL19N025C	3/4" x 25	20	62.5	19	67	148.5	60	11	54	47	22	16	
BVSL19N032D	1" x 32	25	60	22	61	143	67	14	62	55	25	16	300
BVSL19N050F	1.1/2" x 50	40	94	31	75	200	94	20	87	68	35	16	760
BVSL19N063G	2" x 63	50	106	38	96	240	112	20	101	80	40	16	1280

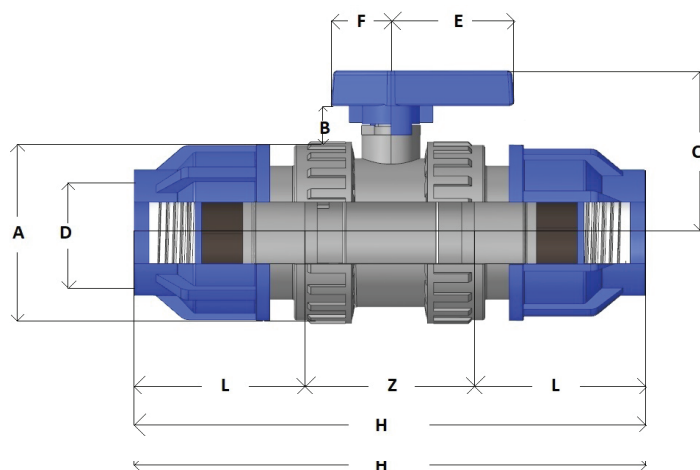


## BVDL19

Double union ball valve  
with quick coupling for P.E



Code	D	DN	L	Z	H	A	B	C	E	F	PN	Gr
BVDL19N0200	20 mm	16	51	75	177	50	10	47	37	18	16	206
BVDL19N0250	25 mm	20	62.5	83	208	60	11	54	47	22	16	
BVDL19N0320	32 mm	25	60	65	185	67	14	62	55	25	16	390
BVDL19N0500	50 mm	40	94	83	271	94	20	87	68	35	16	1070
BVDL19N0630	63 mm	50	106	102	314	112	20	101	80	40	16	1720



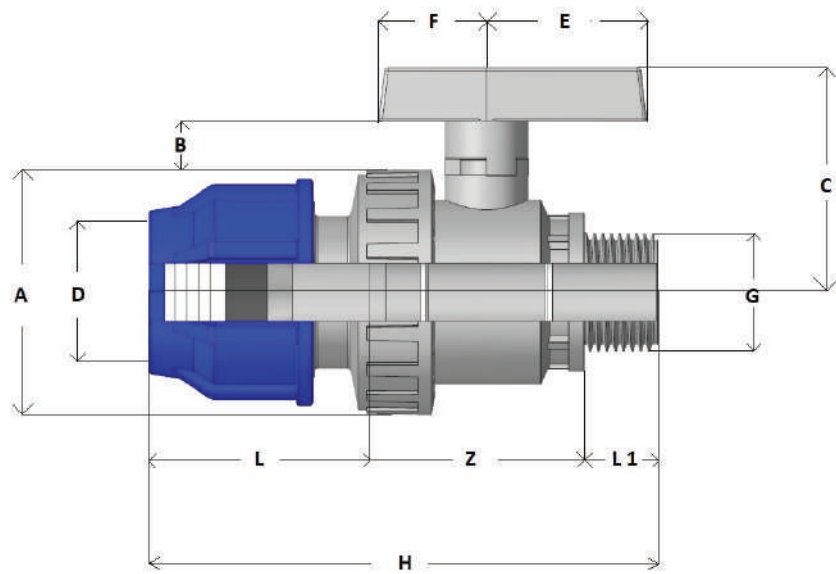


## BVSL17

Single union ball valve with male threaded ends / quick coupling for P.E

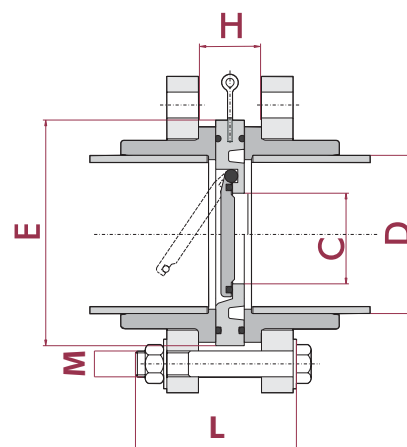


Code	G x D	DN	L	L1	Z	H	A	B	C	E	F	PN
BVSL17E025C	3/4" x 25	20	62.5	16	71	149.5	67	13.5	62	29.5	43	10
BVSL17E032D	1" x 32	25	60.5	20	59	139.5	68	13	62	29.5	43	10



## FLAP VALVE

D		C		H		E		M x L	
mm	"	mm	"	mm	"	mm	"	mm	"
63	2 1/2"	32	1.24	20	0.78	109	4.25	16x120	0.63x4.72
75	2 1/2"	40	1.57	20	0.79	129	5.08	16x120	0.63x4.72
90	3"	52	2.05	20	0.79	144	5.67	16x120	0.63x4.72
110	4 1/2"	70	2.76	22	0.87	164	6.46	16x120	0.63x4.72
125	4"	83	3.27	25	0.98	170	6.69	16x130	0.63x5.12
140	5"	92	3.62	24	0.94	195	7.68	16x130	0.63x5.12
160	6"	112	4.41	26	1.02	220	8.66	20x160	0.79x6.30
200	7"	139	5.47	28	1.10	247	9.72	20x160	0.79x6.30
225	8"	150	5.91	34	1.34	275	10.83	20x160	0.79x6.30



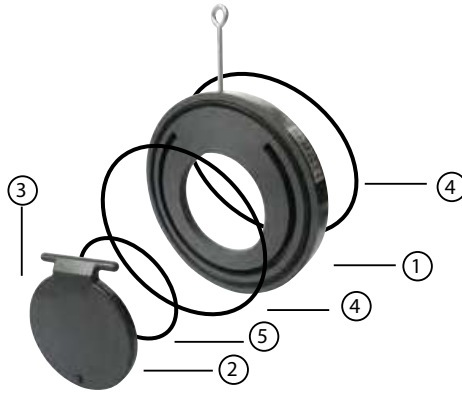
### Characteristics

Sizes	Metric flanges D63 - D315 (DN75 - DN225)	
Standards	ISO/DIN ASTM - 4" - 12"	EN 558-1 ANSI B.16.5 cl.150
Working pressure	20° (73°F) D75 - D225 (2"- 12"): PN 6 (90 psi)	
Minimum return pressure	<b>0,1 - 0,3 bar</b> Minimal downstream pressure to keep the valve closed, depending on installation conditions.	
Materials	O-rings: EPDM	
Characteristics	<ul style="list-style-type: none"> <li>- Requires little space in piping systems.</li> <li>- Easy installation: wafer body slips between standard flanges. No gaskets required</li> <li>- Vertical and horizontal operation.</li> <li>- Excellent flow characteristics.</li> </ul> <p>Do not install the valve at a distance lower than 5 x D of the pump out. Install with pipe DIN PN 10. In case of PN 16, the valve could be damaged.</p>	



## Components & Material

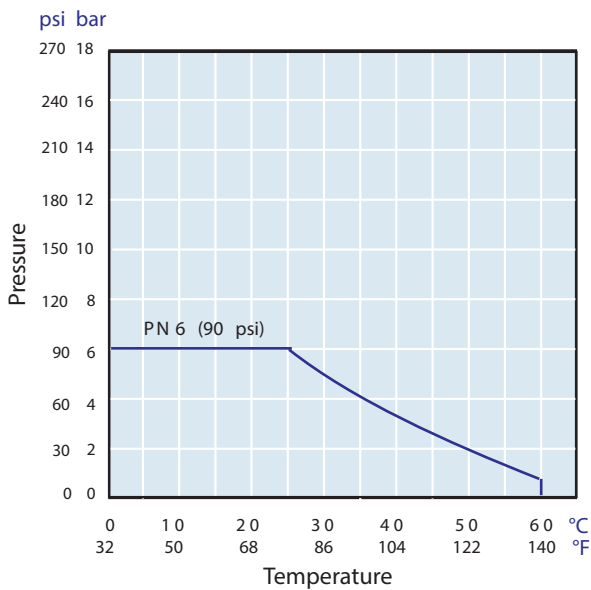
Components	Material
1) Body	PVC-U
2) Flap	PVC-U
3) Cap	PP
4) Body O-Ring	EPDM/ FPM
5) Flap O-Ring	EPDM/ FPM



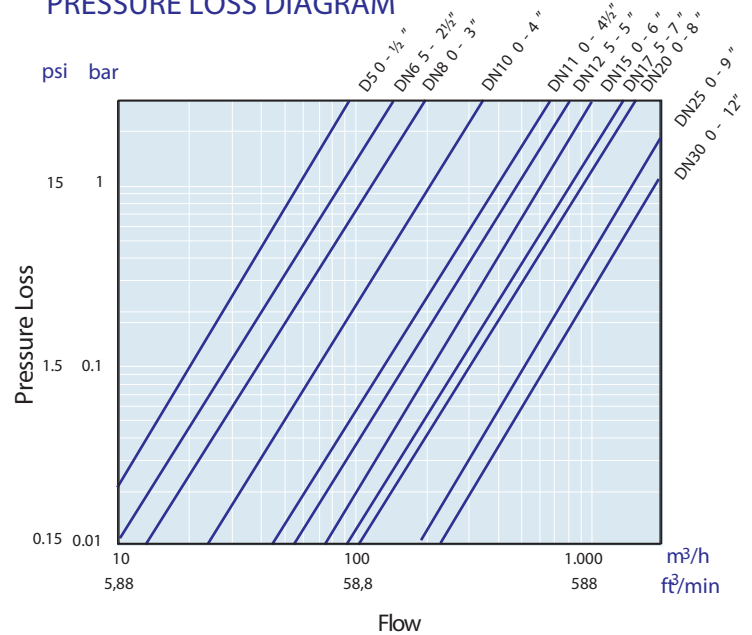
## Installation

- Install with flanges and PN 10 pipe.
- Do not install the valve at a distance lower than 5xD of the pump out.
- The valve must be installed in vertical horizontal pipework.
- On horizontal pipework the flange hinge must be at the top.
- Ensure the direction of flow is in accordance with the arrow on the valve body.
- Use the centralising screw to ensure the valve is positioned centrally in the flanges.
- **WARNING:** To ensure the valves work correctly, the stub flanges must be perfectly lined up.

## PRESSURE / TEMPERATURE GRAPH



## PRESSURE LOSS DIAGRAM

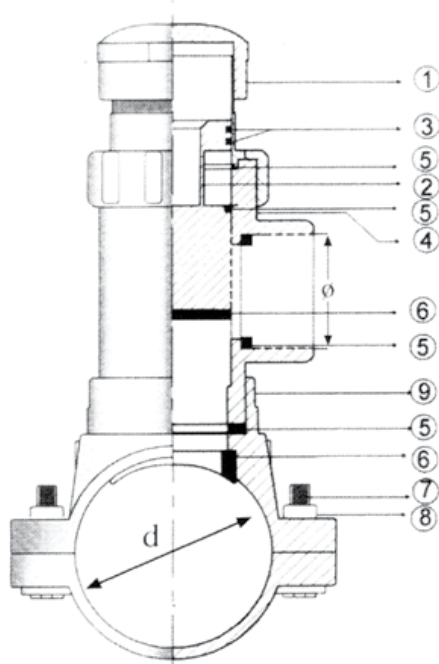


## RELATIVE FLOW

D	63	75	90	110	125	140	160	200	225
DN	50	65	80	100	125	125	150	175	200
<b>Kv<sub>100</sub></b>	57	85	130	200	390	480	600	800	900
<b>Cv</b>	4,0	6,0	9,1	14,0	27,3	33,6	42,0	56,0	63,0

$Cv = Kv_{100} / 14,28$   
 $Kv_{100}$  (l/min,  $\Delta p = 1$  bar)  
 $Cv$  (GPM,  $\Delta p = 1$  psi)

## UPVC VALVE SADDLE



Pos.	Name	NO.	Material
1	CAP	1	U PVC
2	INSIDE PART	1	U PVC
3	OIL SEAL	2	EPDM
4	VALVE BODY	1	U PVC
5	O.RING	4	EPDM
6	SPECIAL GASKET	2	EPDM
7	BOLT	4	STAINLESS STEEL
8	NUT	4	STAINLESS STEEL
9	SADDLE	1	U PVC

### Installation Instructions:

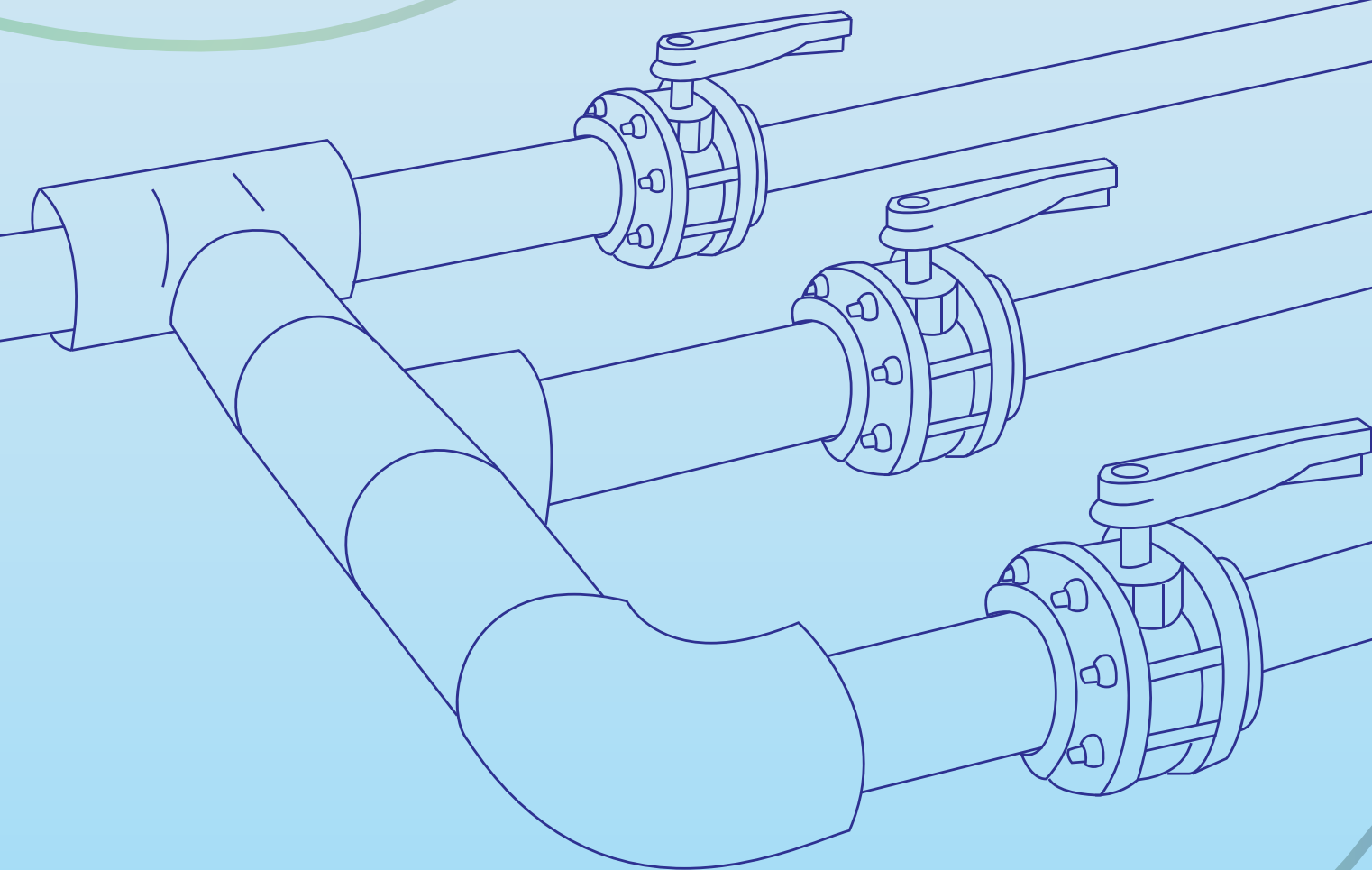
- Set the saddle gasket in its groove before installing on the upper part of the pipe and assemble the upper and lower parts by the 4 bolts and nuts.
- Make a hole in the pipe and be sure to disconnect the water supply during assembling.
- This will take a few minutes; connect the valve body with the saddle.  
Note: make sure all O-rings are installed.
- After installing all parts, install the cap on the top of the valve saddle to save it from dust.

### Advantages:

- Neisco Valve Saddle can be installed at any level underground surface and open or close the valve from the surface with a special key.
- Neisco Valve Saddle is easy to assemble and disassemble for maintenance and all spare parts are available and can be installed on PE/UPVC pipes.
- The Valve Saddle is chemical resistant and it's bolts and nuts are made of stainless-steel.
- The upper part (valve body) can rotate to reach any house connection up to angle 45.
- Neisco Valve Saddle is made in Egypt with Italian experience; it's working pressure is 10 bar, test pressure is 15 bar, & factory test is 25 bar.

dxG	d	Ø
VS 75 10 PVC	75	1"
VS 75 20 PVC	75	2"
VS 75 32 PVC	75	32 mm
VS 75 63 PVC	75	63 mm
VS 90 10 PVC	90	1"
VS 90 20 PVC	90	2"
VS 90 32 PVC	90	32 mm
VS 90 63 PVC	90	63 mm
VS 110 10 PVC	110	1"
VS 110 20 PVC	110	2"
VS 110 32 PVC	110	32 mm
VS 110 63 PVC	110	63 mm
VS 125 10 PVC	125	1"
VS 125 20 PVC	125	2"
VS 125 32 PVC	125	32 mm
VS 125 63 PVC	125	63 mm
VS 160 10 PVC	160	1"
VS 160 20 PVC	160	2"
VS 160 32 PVC	160	32 mm
VS 160 63 PVC	160	63 mm
VS 200 10 PVC	200	1"
VS 200 20 PVC	200	2"
VS 200 32 PVC	200	32 mm
VS 200 63 PVC	200	63 mm
VS 225 10 PVC	225	1"
VS 225 20 PVC	225	2"
VS 225 32 PVC	225	32 mm
VS 225 63 PVC	225	63 mm

# BUTTERFLY VALVES



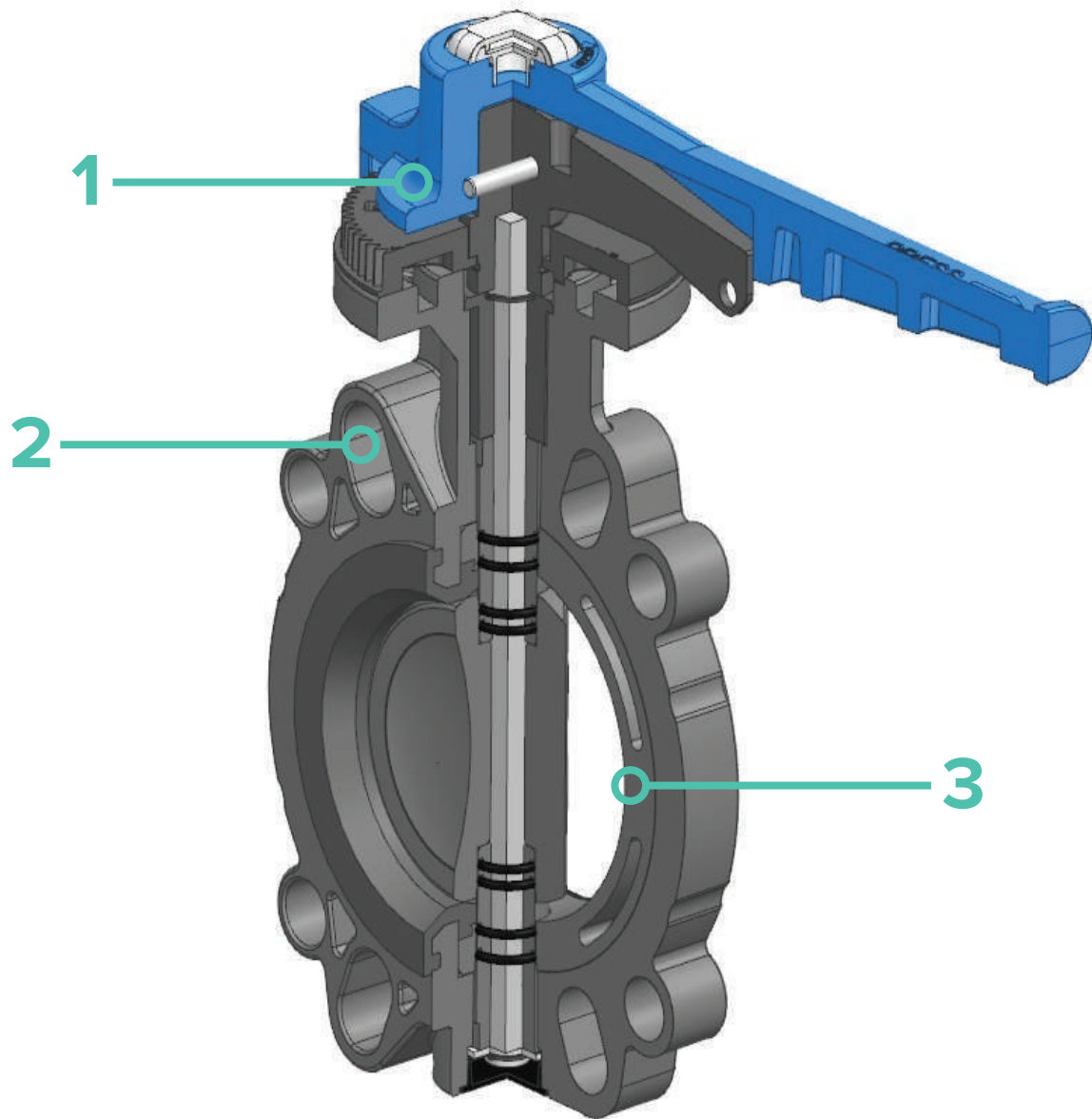
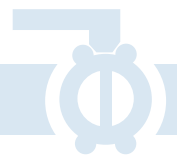


## Technical Data

### BUTERFLY VALVE - General characteristics

- Our butterfly valve is for shutting off or regulating flow specifically designed for water applications.
- Disk in PVC-U with through shaft
- Zinc plated square section steel stem completely isolated from the fluid complying with standard ISO 5211: DN 80 - 100 (14 mm)
- Can also be installed as an end line valve, bottom discharge valve or tank dump valve.
- Valve material compatability;  
water and other food substances according to possibility of directly installing a gearbox of pneumatic and/or electric actuators with a standard drilling pattern according to standard ISO 5211 FO5, FO7, F10.

Technical Specifications	
Construction	Centric butterfly valve
Size range	DN 80 - 100
Nominal pressure	Wafer version DN 80 - DN 100      PN 16 with water at 20°C
Temperature range	0°C - 60°C
Reference standards	Flanging system: EN ISO 1452, EN ISO 15493, DIN 2501 ISO 7005-1, EN 1092-1, ANSI B16.5 Cl.150
Reference standards	Construction criteria: EN ISO 16136, EN ISO 1452, EN ISO 15493
	Test methods and requirements: ISO 9393
	Actuator couplings: ISO 5211
Valve material	Body and disk: PVC-UH Stem: Zinc plated carbon steel (C37) On request STAINLESS steel AISI 316
Seal material	Liner: EPDM - WRAS Approved
Control options	Hand lever operated; Gearbox, pneumatic actuator, electric actuator



**1** Ergonomic multifunctional handle in HIPVC with the option for quick operation, graduated adjustment in 9 positions (every 10°)

**2** Drilling pattern with oval slots that allow coupling to flanges according to numerous international standards.

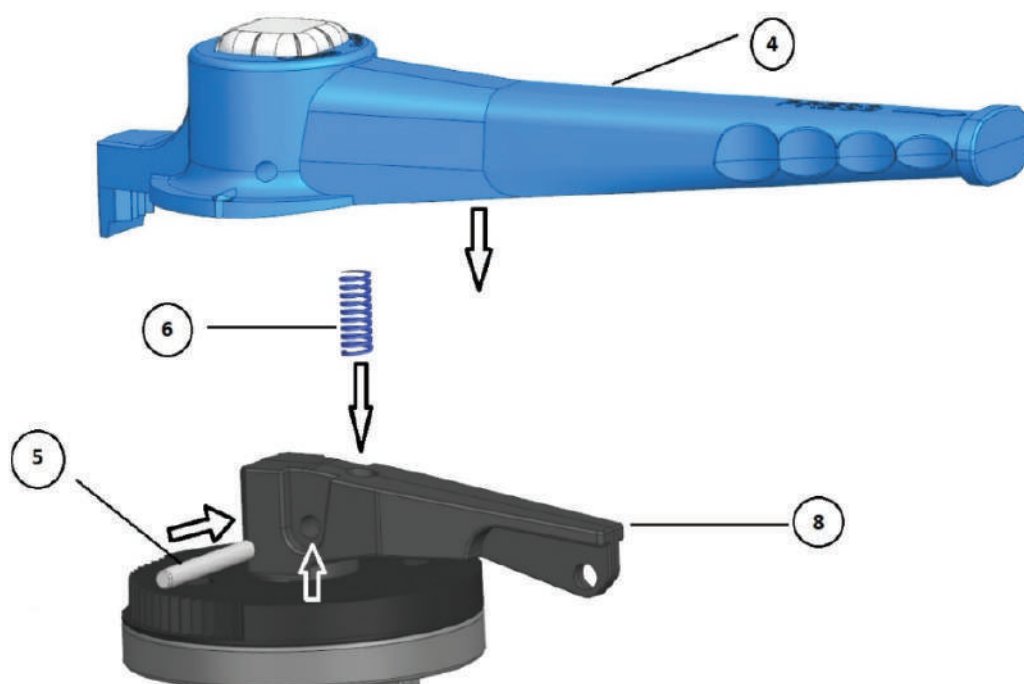
**3** Interchangeable liner with the dual function of forming a hydraulic seal and isolating the body from the fluid.



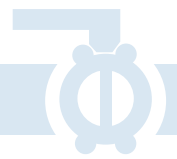
## Flow coefficient (KV)

DN	KV
80	251 m <sup>3</sup> /h
100	560 m <sup>3</sup> /h

## How to assemble the butterfly valve:



- Insert the metal spring (part #6) in it's designated place shown (part #8)
- Place the valve handle (part #4) in it's designated place shown (part #8)
- Insert the handle stem (part #5) while gently pushing on the handle downward so you can connect the handle (part #4) with (part #8) using the stem.



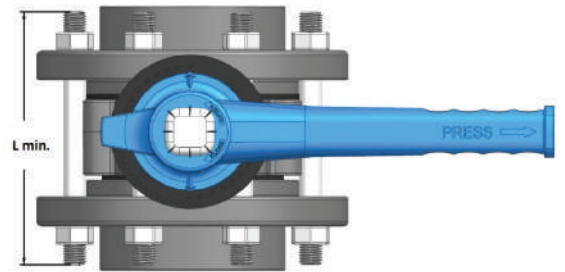
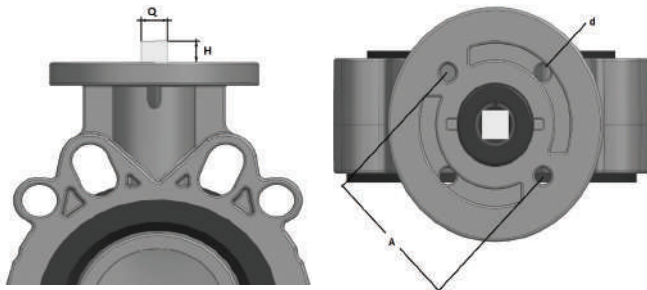
### Actuation

NEISCO Butterfly valve can be actuated with standard electric or pneumatic actuators and can be equipped with wheel gearboxes. The mounting flange is drilled according to standard ISO 5211.

#### Dimensions of the bolts to be used in installation

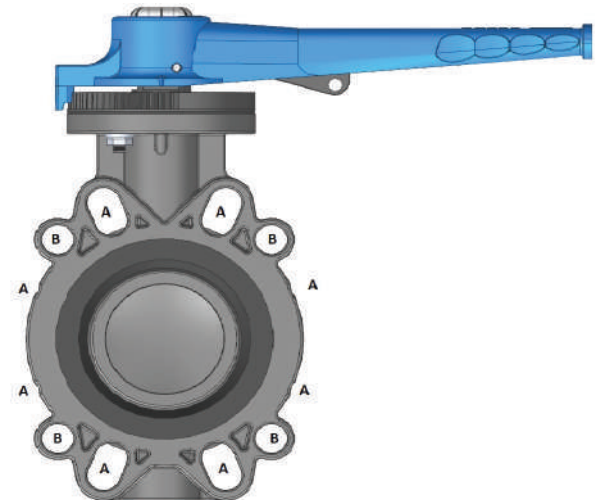
DN	ISO 5211	A	D	Q	H
80	F07	70	9	14	16
100	F07	70	9	14	16

DN	ISO 5211	A	D
80	F07	70	9
100	F07	70	9



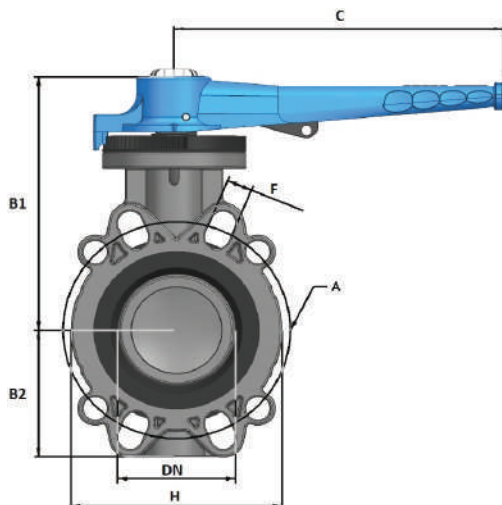
### Flanges Compatibility

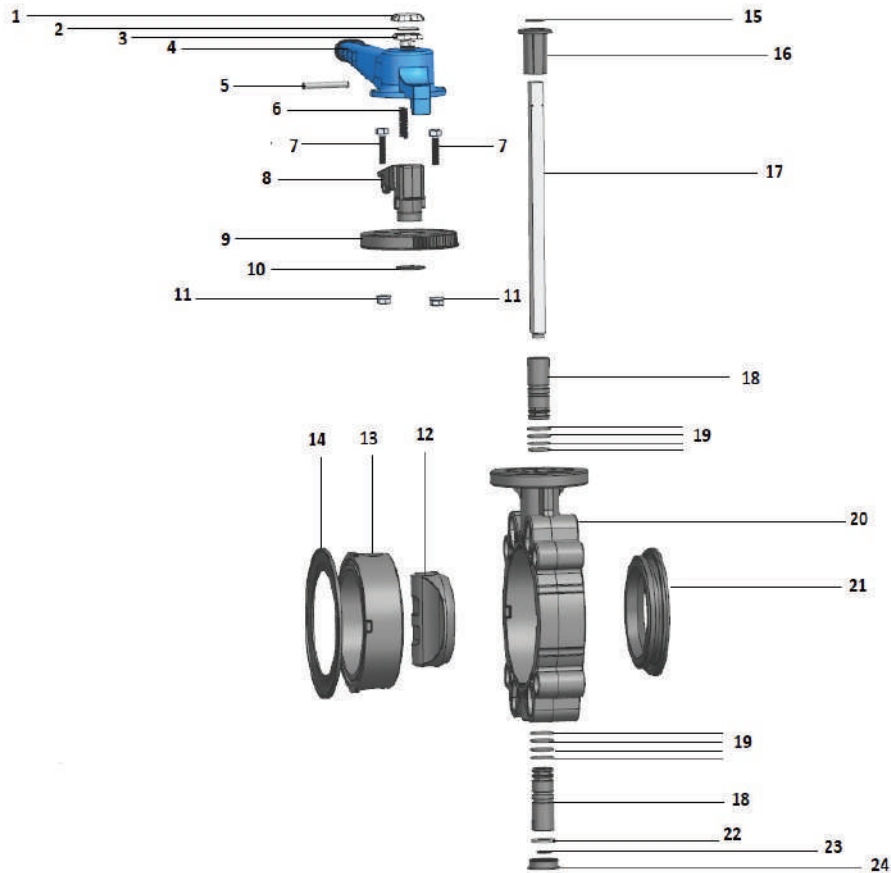
NEISCO Butterfly valve compatible with flanges according to; ISO 1452-3 (position A) and ISO 7005 (position B).



### Dimensions

d	DN	PN	A	B1	B2	C	C1	F	H	Z	g
90-3"	80	16	160	178	91	240	50	18.5	146	50	1870
110-4"	100	16	177.5	207	103.5	257	54.5	19	165	55	2580





Sn	Item	Material	Qty
1	Logo part A	Q RESIN	1
2	Tag holder	CARTON	1
3	Logo part B	Q RESIN	1
4	Handle	HI - PVC	1
5	Handle pin	STAINLESS STEEL	1
6	Handle spring	COATED STEEL	1
7	Screw	ZINC PLATED STEEL	2
8	Handle support	PA6 30GF	1
9	Position indicator	PA6 30GF	1
10	Seeger ring A	STEEL	1
11	Nut	ZINC PLATED STEEL	2
12	Disk (Gate)	PVC - UH	1
13	Disk Bush	PVC - UH	1
14	Stub seal	EPDM	1
15	Seeger ring B	STEEL	1
16	Stem bush	PA6 30GF	1
17	Stem	ZINC PLATED STEEL	1
18	O-ring bush	PVC - UH	2
19	O-ring	EPDM	8
20	Body	PVC - UH	1
21	Disk seal	EPDM	1
22	Washer	STEEL	1
23	Seeger ring C	STEEL	1
24	Bottom cap	POLYPROPYLENE	1

# NOTES



A series of horizontal dashed lines for writing notes.



Manufacturers of UPVC pressure fittings, Sewer fittings, Valves & Pipes and PP compression fittings.



Borg El Mohandesin, Rabaa El Adawia, Nasr City, Cairo, Egypt.  
Factory: Block 71, Sixth Industrial Area, Badr City, Egypt.  
(+202) 226 05695 - 240 51884 | Fax: (+202) 22629718  
info@neiscoegypt.com | www.neiscoegypt.com